

HSC
华大半导体
HUADA SEMICONDUCTOR



上海贝岭
SHANGHAI BELLING



Catalog of Products 产品目录 2021

用“芯”创造美好生活

Enable a more wonderful life through IC

Catalog of Products 产品目录

POWER MANAGEMENT 电源管理	1
DC/DC STEP-DOWN CONVERTER (降压型 DC/DC 转换器).....	1
DC/DC STEP-UP CONVERTER (升压型 DC/DC 转换器).....	2
CMOS TYPE LDO LINEAR REGULATOR (CMOS 型低压差线性稳压器).....	2
BIPOLAR TYPE LDO LINEAR REGULATOR (双极型低压差线性稳压器).....	4
LI-ION BATTERY CHARGER (锂电池充电芯片).....	4
LOAD SWITCH (精密限流负载开关).....	4
THREE-TERMINAL POSITIVE REGULATOR (三端稳压器).....	4
VOLTAGE DETECTOR/RESET IC (电压检测器/复位 IC).....	5
AC/DC CONVERTER (AC/DC 转换器).....	5
ISOLATOR 隔离器芯片	5
DIGITAL ISOLATOR (数字隔离器).....	5
SMART METER IC 表计芯片	6
ENERGY MEASUREMENT ASIC (电能计量专用电路).....	6
MEASUREMENT IC OF IOT(物联网计量电路).....	6
SoC (电能表专用系统级芯片).....	6
LCD DISPLAY DRIVER (液晶显示驱动芯片).....	7
POWER LINE COMMUNICATION MODEM CHIP (电力线载波通信调制解调电路).....	7
RELAY DRIVER (磁保持继电器驱动芯片).....	7
STANDARD INTERFACE CIRCUIT 接口电路	8
ANALOG SWITCH (模拟开关).....	8
CLASS AB AUDIO AMPLIFIER (AB 类音频功放电路).....	8
CLASS D AUDIO AMPLIFIER (D 类音频功放电路).....	8
INTERFACE CIRCUIT (RS-485 接口电路).....	8
VIDEO FILTER DRIVER (视频滤波驱动).....	9
AMPLIFIERS 放大器	9
ADC/DAC 数据转换器芯片	10
VOLTAGE REFERENCES 电压基准源芯片	11
PROGRAMMABLE UNIT 可编程类	11
GENERAL PURPOSE MCU (通用微控制器).....	11
ANALOG MICROCONTROLLER (模拟微控制器).....	11
DRIVE CIRCUIT 驱动电路	12
DC MOTOR DRIVER (马达驱动).....	12
DARLINGTON TRANSISTOR ARRAYS (达林顿驱动).....	12
SMOKE DETECTOR (烟雾检测电路).....	12
REAL TIME CLOCK (低功耗实时时钟).....	12
MOS DRIVER (MOSFET 驱动芯片).....	13
LED DRIVER LED 照明/背光驱动电路	13
PFC CONTROLLER WITH PSR FOR LED DRIVER (高 PFC 高效隔离恒流驱动电路).....	13
CURRENT RIPPLE REMOVING CIRCUIT (去纹波电流控制电路).....	13
DC/DC LED DRIVER (DC/DC LED 驱动电路).....	13
EEPROM 存储器	14
MOSFET 金属氧化物半导体场效应晶体管	15
TRENCH MOSFET (沟槽场效应晶体管).....	15
DOUBLE TRENCH MOSFET (双沟槽场效应晶体管).....	17
HIGH VOLTAGE PLANAR MOSFET (高压平面型场效应晶体管).....	17
HIGH VOLTAGE SUPER JUNCTION MOSFET (高压超结型场效应晶体管).....	21
IGBT 绝缘栅双极晶体管	22
BELLING SOLUTIONS 贝岭解决方案	23
BELLING ENERGY METERING SOLUTION (贝岭 IC 在智能电表中的应用).....	23
BELLING SMART MCB SOLUTION (贝岭 IC 在智能微型断路器中的应用).....	23
BELLING STB SOLUTION (贝岭 IC 在机顶盒中的应用).....	24
BELLING LCD TV SOLUTION (贝岭 IC 在平板电视中的应用).....	24
BELLING CAR BLACK BOX SOLUTION (贝岭 IC 在行车记录仪中的应用).....	25
BELLING POWER SIGNAL SENSOR AND WIRELESS TRANSMISSION SYSTEM SOLUTION (贝岭 IC 在用电感知系统中的应用).....	25
BELLING MOBILE POWER SOLUTION (贝岭 IC 在移动电源中的应用).....	26
INTRODUCTION OF SHANGHAI BELLING 上海贝岭简介	26
INDEX OF PART NUMBER -1 型号索引 1	27
INDEX OF PART NUMBER -2 型号索引 2	28

Power Management 电源管理

DC/DC Step-down Converter (降压型 DC/DC 转换器)

Part No.	Power switching	MODE	VIN	VOUT	IQ	FOSC	Eff.	Max. Duty Cycle	Accu.	IOUT	Package	Application	Reference
BL8026	Built-in MOSFET Synchronous	PWM/PFM	2.6~7.0V	ADJ	50μA	1.5MHz	97%	100%	±2%	1A	SOT23-5 DFN2x2-6	TV,MID,STB, PON	SY8008, AMP2105 RT8008, RT8024 MT2104
BL8028	Built-in MOSFET Synchronous	PWM/PFM	2.6~6.0V	ADJ	80μA	2MHz	97%	100%	±2%	1.5A	SOT23-5 DFN2x2-6	TV,MID,STB, PON	SY8008, AMP2105 RT8008, RT8024 MT2104
BL8029	Built-in MOSFET Synchronous	PWM/PFM	2.6~6.0V	ADJ	50μA	1.5MHz	97%	100%	±2%	1.2A	SOT563	Security, Black Box	
BL9309	Built-in MOSFET Synchronous	PWM/PFM	2.5~5.5V	ADJ	50μA	1.3MHz	97%	—	±2.5%	2A	SOT23-5 SOT23-6	TV,MID,STB, PON	SY8009B ZTP7108
BL9315	Built-in MOSFET Synchronous	PWM/PFM	2.6~5.5V	ADJ	50μA	1.4MHz	97%	—	±2.5%	3A	ESOP8	TV,STB	PAM2320
BL8032S	Built-in MOSFET Synchronous	PWM/PFM	3.5~16V	ADJ	0.5mA	500KHz	96%	95%	±2%	2A	SOT23-6	TV,STB,PON	SY8120
BL8033	Built-in MOSFET Synchronous	PWM/PFM	4.2~16V	ADJ	0.5mA	500KHz	96%	92%	±2%	3A	SOT23-6	TV,STB,PON	MP1471
BL8034	Built-in MOSFET Synchronous	PWM/PFM	4.2~16V	ADJ	0.5mA	500KHz	95%	92%	±2%	4A	ESOP8	TV,STB,PON	MP1484
BL8032	Built-in MOSFET Synchronous	PWM/PFM	4.2~18V	ADJ	0.5mA	500KHz	96%	92%	±2%	2A	SOT23-6	TV,STB,PON	MP1470
BL8032H	Built-in MOSFET Synchronous	PWM/PFM	4.2~18V	ADJ	0.5mA	1MHz	96%	92%	±2%	2A	SOT23-6	TV,STB,PON	MP1470H
BL8035	Built-in MOSFET Synchronous	PWM	4.2~18V	ADJ	0.5mA	500KHz	96%	92%	±2%	2A	SOT23-6	SSD	MP1470B
BL8037	Built-in MOSFET Synchronous	PWM/PFM	4.2~30V	ADJ	0.3mA	500KHz		90%	±2%	2A	ESOP8		
BL8036	Built-in MOSFET Synchronous	PWM/PFM	4.2~30V	ADJ	0.3mA	500KHz		90%	±2%	3A	ESOP8		
BL9342	Built-in MOSFET	PWM/PFM	4.5~40V	ADJ	0.2mA	1.8MHz	95%	90%	±2%	600mA	SOT23-6	电表, 车载, 载波模块	MP2451 LM2842
BL9352A	Built-in MOSFET	PWM/PFM	4.5~45V	ADJ	0.69mA	1.6MHz	95%	87%	±2%	600mA	SOT23-6	电表, 车载, 载波模块	MP2451 LM2842
BL9359	Built-in MOSFET	PWM/PFM	4.5~60V	ADJ	0.73mA	480KHz	95%	90%	±2%	500mA	SOT23-6	电表, 车载, 载波模块	MP2459
BL9362	Built-in MOSFET	PWM/PFM	4.5~60V	ADJ		2MHz			±2%	600mA	SOT23-6	电表, 车载, 载波模块	MP2459 HT7463

DC/DC Step-up Converter (升压型 DC/DC 转换器)

Part No.	MODE	VIN	VOUT	IQ	FOSC	Eff.	Accu.	Power Switching	IOUT	Package	Application	Reference
BL8531	PFM	0.8~5.5V	2.5~6.0V 100mV Step	4μA	450KHz	85%	±2%	Internal MOSFET	300mA	SOT89-3 SOT23-3 SOT23-5	玩具, 鼠标, 应急充, MP4	XC6383, S-8351 RT9261, AIC1642
BL8531C	PFM	0.8~5.5V	2.5~6.0V 100mV Step	6μA	400KHz	90%	±2%	External MOSFET	—	SOT23-5	玩具, 鼠标, 应急充, MP4	XC6368, RH5RK
BL8536	Sync Boost PWM	0.9~5.0V	1.8~3.6V	8μA	1MHz	94%	±2%	Internal Sync Rectifier	300mA	SOT89-3 SOT23-3	鼠标, 玩具	

CMOS Type LDO Linear Regulator (CMOS 型低压差线性稳压器)

Part No.	Features	VIN	VOUT	Accu.	PSRR	IQ	IOUT(Max.)	Package	Application	Reference
BL8078	Low Power Consumption, Low Dropout Voltage	3.0~40V	1.2~5.0V	±2%		2.5μA	150mA	SOT23-5 SOT89-3	电表, 车载, 玩具	
BL8555	Low Noise, High PSRR	1.8~8.0V	1.2~5.0V	±2%	65dB@1KHz	25μA	150mA	SOT23-5	Ukey, 无绳电话, MID 等电池供电设备	
BL8064	Low Power Consumption, Low Dropout Voltage	1.5~8.0V	1.1~5.5V	±2%		1μA	200mA	SOT23-3 SOT89-3	电池供电设备	XC6206
BL8061	Low Power Consumption, Low Dropout Voltage	Max. 16V	1.2~5.0V	±2%		2μA	250mA	SOT23-3 SOT23-5 SOT89-3	电池供电设备	
BL8062	Low Power Consumption, Low Dropout Voltage	Max. 16V	1.2~5.0V	±2%		3μA	250mA	SOT23-3 SOT89-3	电池供电设备	
BL8503	Low Dropout Voltage, Low Iq	Max. 8.0V	1.2~6.0V	±2%/±1%		3μA	250mA	SOT89-3 SOT23-3 TO92	电池供电设备	XC6206
BL8077	Low Power Consumption, Low Dropout Voltage	Max. 5.5V	1.2, 1.8, 2.5, 3.0, 3.3V	±2%		0.8μA	300mA	DFN1x1-4 SOT23-5	电池供电设备	
BL8063	Low Noise, High PSRR	Max. 6.0V	2.0~6.0V	±2%	74dB@100Hz	35μA	300mA	DFN1x1-4 SC70-5 SOT23-5	手机, 无绳电话, MID 等电池供电设备 SC	XC6219, RT9193, RT9198, R1114X, LP3985
BL8563	Low Noise, High PSRR, Output Discharge	Max. 6.0V	1.5~4.5V	±2%	73dB@100Hz	35μA	300mA	DFN1x1-4 SC70-5 SOT23-3 SOT23-5	手机, 无绳电话, MID 等电池供电设备	XC6219, RT9193, RT9198, R1114X, LP3985
BL8067	Low Noise, High PSRR, Output Discharge	1.5~6.0V	1.0~4.5V	±2%	70dB@100Hz	35μA	300mA	SOT23-5 SC70-5 DFN1x1-4	手机, 无绳电话, MID 等电池供电设备	
BL9193	RF LDO, Ultra Low Noise, High PSRR, Output Discharge	2.0~6.0V	1.2~5.0V, ADJ	±2%/±1%	80dB@217Hz 78dB@1KHz	90μA	300mA	SOT23-5 SC70-5	电话, 无绳电话, MID 等电池供电设备	RT9193
BL9195	Ultra Fast, Ultra Low Noise, High PSRR, Output Discharge	2.0~6.0V	1.2~5.0V	±2%/±1%	78dB@217Hz	90μA	300mA	SOT23-3 SOT89-3 SOT223-3	STB, 光驱, TV	XC6206, RS7100, RT9166
BL9198	RF LDO, Ultra Low Noise, High PSRR, Output Discharge	2.0~6.0V	1.2~5.0V	±2%/±1%	78dB@217Hz	90μA	300mA	SOT23-5 SC70-5	电话, 无绳电话, MID 等电池供电设备	XC6219, XC6209, R1114X
BL9161	Low Noise, High PSRR, Output Discharge	2.2~5.5V	1.5~3.3V	±2%	78dB@217Hz	70μA	300mA	DFN1X1-4 SC70-5 SOT23-3 SOT23-5	电话, 无绳电话, MID 等电池供电设备	XC6219, XC6209, R1114X
BL9162	Low Noise, High PSRR, Fast Response, Output Discharge	1.6~5.5V	1.0~4.0V	±2%	87dB@217Hz	45μA	300mA	DFN1X1-4 SOT23-5 SC70-5	手机, 摄像头, 机顶盒	NCP114

Part No.	Features	VIN	VOUT	Accu.	PSRR	IQ	IOUT(Max.)	Package	Application	Reference
BL9165	Low Noise, High PSRR, Fast Response ,Output Discharge	1.8~5.5V	1.0~4.0V	±2%	87dB@217Hz	45μA	500mA	DFN1X1-4 SOT23-5 SC70-5	手机,摄像头,机顶盒	
BL8079	Low Noise, High PSRR, Output Discharge	2.5~6.0V	ADJ	±2%	60dB@1KHz	40μA	300mA	SOT23-5 SC70-5	STB, MID 等电池供电设备	SGM2032
BL9180	Dual Channels LDO, Output Discharge	2.0~6.0V	1.2~5.0V	±2%/ ±1%	70dB@1KHz	90μA x2	300mA x2	SOT23-6 ESOP8	电话,摄像头模组	XC6401
BL8566	Dual Channels LDO, Output Discharge	Max. 6.0V	1.5~4.5V	±2%/ ±1%	73dB@100Hz	20μA x2	300mA x2	SOT23-6	电话,摄像头模组	RT9011,XC6401
BL8075	Low Power Consumption, Low Dropout Voltage	3.0~16V	1.2~5.0V	±2%		10μA	500mA	SOT23-5 SOT89-3	对讲机	MD53XX
BL8558	Low Noise, High PSRR, Output Discharge	Max. 8.0V	1.2~4.5V	±2%/ ±1%	66dB@100Hz	75μA	500mA	SOT89-3 SOT23-5	电池供电设备	RT9013,RT9017
BL8565	Low Noise, Low Dropout, High PSRR, Output Discharge	Max. 6.0V	1.5~4.5V	±2%	73dB@100Hz	20μA	500mA	SOT89-3	STB, 光驱, TV	RT9162,FS8853 PT5102,SG2003
BL8568	Low Noise, High PSRR Fast Response, Output Discharge	Max. 6.0V	1.2~4.5V	±2%	72dB@1KHz	30μA	500mA	SC70-5 SOT23-5	电话,无绳电话, MID 等电 池供电设备	
BL8569	Dual Channels LDO	Max. 6.0V	1.2~4.5V	±2%	72dB@1KHz	30μA x2	500mA x2	SOT23-6	电话,摄像头模组	
BL8067A	Low Noise, High PSRR, Output Discharge	1.5~6.0V	1.0~4.5V	±2%	70dB@100Hz	35μA	500mA	SOT23-5 SC70-5 DFN1x1-4	手机,无绳电话, MID 等电 池供电设备	
BL8079A	Low Noise, High PSRR, Output Discharge	2.5~6.0V	ADJ	±2%	60dB@1KHz	40μA	600mA	SOT23-5 SC70-5	STB, MID 等电池供电设 备	
BL8074	Low Noise, Low Dropout, High PSRR	Max. 6.0V	1.2~5.0V	±2%		100μA	0.8A	SOT89-3	TV,STB,PC主板	
BL9110	1A Very Low Dropout Low Noise High PSRR	2.5~6.0V	1.0~5.0V	±2%/ ±1%	70dB@100Hz	70μA	1A	SOT223-3 TO252-3	TV,STB,PC主板	TPS73701,G1117 AP2114
BL8073	Low Noise, Low Dropout, High PSRR	Max. 6.0V	1.2~5.0V	±2%		100μA	1A	SOT89-3 SOT23-5	TV,STB,PC主板	
BL8071	Low Noise, Low Dropout, High PSRR	Max. 6.0V	1.2~5.0V	±2%		100μA	1.5A	SOT223	TV,STB,PC主板	
BL8072	2A Low Dropout, Low Iq	Max. 18V	1.2~5.0V	±2%		3μA	2A	SOT223 TO252	TV,STB,PC主板	

*Ordered by IOUT

Bipolar Type LDO Linear Regulator (双极型低压差线性稳压器)

Part No.	Features	VIN	VOUT	Accu.	IQ	IOUT (Max.)	Package	Application	Reference
BL1117	Bipolar, Low Dropout Voltage	Max. 15V	1.2,1.8,2.5,3.3,5V, ADJ	±2%	2mA	1A	SOT223 TO252	TV,STB,PC 主板	LM1117
BL1117C	Bipolar, Low Dropout Voltage	Max. 15V	1.2V	±2%	2mA	1A	SOT223	TV,STB,PC 主板	LM1117
BL1118	Dual Channels Bipolar, Low Dropout Voltage	Max. 12V	1.2,1.8,2.5,3.3,5V, ADJ	±2%	2mA x 2	1A x 2	ESOP8	TV,STB,PC 主板	
BL1085	Bipolar, Low Dropout Voltage	Max. 12V	1.8,2.5,3.3,5V, ADJ	±2%	4mA	3A	TO252 TO263	TV,STB,PC 主板	LM1085
BL1084	Bipolar, Low Dropout Voltage	Max. 12V	1.8,2.5,3.3,5V, ADJ	±2%	5mA	5A	TO252 TO263	TV,STB,PC 主板	LM1084

Li-ion Battery Charger (锂电池充电芯片)

Part No.	Features	VIN	Series Cells	Max. Charger	Charger Type	Output Accu.	Package	Application	Reference
BL4054B	Temperature Regulation, Trickle Charge, C/10 Charge Termination, USB Compliant	4.25~6.5V Max. 10V	1	800mA	Linear	4.2V±1% 4.3V±1% 4.4V±1%	SOT23-5 TSOT23-5	单节锂电供电设备	LTC4054
BL4056C	1A Lithium Ion Battery Linear Charger	4.2~9.0V	1	1A	Linear	4.2V±1% 4.35V±1%	ESOP8	单节锂电供电设备	
BL8573	500mA/1.5A Lithium Ion Battery Linear Charger	4.25~6.0V	1	500mA/1.5A	Linear	4.2V±1% 4.35V±1%	SOT23-6 ESOP8	单节锂电供电设备	
BL8574	500mA Lithium Ion Battery Linear Charger	4.25~6.0V	1	500mA	Linear	4.2V±1%	SOT23-5	单节锂电供电设备	
BL8576	1A Lithium Ion Battery Linear Charger	4.25~6.0V	1	1A	Linear	4.2V±1%	ESOP8	单节锂电供电设备	

Load Switch (精密限流负载开关)

Part No.	Features	VIN	IQ	Current Limit Threshold	Power switch On Resistance	Package	Application	Reference
BL2555	1CH ADJ Current-Limited Power Distribution Switch	2.4~5.5V	15µA	Max. 2A	80mΩ	SOT23-5	STB, Wi-Fi Router/AP	SY6280

Three-terminal Positive Regulator (三端稳压器)

Part No.	Features	VIN	VOUT	Accu.	IQ	IOUT (Max.)	Package	Application	Reference
BL78L05D	Three-terminal Positive Voltage Regulator	Max. 35V	5.0V	±2%	2mA	100mA	SOT89-3 TO92	家电, 电表	
BL78L05	Three-terminal Positive Voltage Regulator	Max. 30V	5.0V	±4%	Max. 5.5mA	100mA	SOT89-3 TO92	家电, 电表	
BL317B	High Current Adjustable Voltage Regulator	Max. 40V	ADJ	±4%	46µA	1.5A	TO220 TO252 TO263	STB	LM317

Voltage Detector/Reset IC (电压检测器/复位 IC)

Part No.	VIN	VDET	IQ	Accu.	Output Type	Package	Delay Time	Application	Reference
BL8506	0.7~10V	0.9~6V (Step 0.1V)	0.5μA	±2%	CMOS Or NCh, Hysteresis 4%	SOT23-3 SOT89-3 SOT23-5 SOT23	N/A	便携式电池电压检测, Power Good, Failure 检测	R3111, XC61C HT70XX
BL8518	6.0V	2.63V, 2.93V	4.5μA	±3%	CMOS Or NCh	SOT23	200ms	便携式电池电压检测, Power Good, 上电掉电复位 Failure 检测	R3110, MAX809
BL8511	1.2~6.0V	1.4V	4μA	±2.5%	NCh	DFN2x2-6	15ms	SSD	

AC/DC Converter (AC/DC 转换器)

PSR 系列

Part No.	Pout (Max.)	Drive Device	BVDSS	MODE	Standby Power	OVP	Package	Application	Reference
BL8802	15W	MOSFET	1000V	PSR	<75mW	Y	DIP7	智能电表, 户外监控, 高输入电压的 AC/DC 方案	
BL8812	12W	MOSFET	650V	PSR	<75mW	Y	SOP7	充电器, 适配器, LED 驱动电源	OB2500

SSR 系列

Part No.	Pout (Max.)	Drive Device	MODE	Standby Power	Power on Soft-Start	OVP	Package	Application	Reference
BL8891B	15W	MOSFET	SSR	<0.15W	Y	Y	DIP7	电源适配器, 机顶盒电源, 小家电电源	OB2358, SP7625
BL8851	60W	External MOSFET	SSR	<0.15W	Y	Y	SOT23-6	电源适配器, 机顶盒电源, 小家电电源	OB2273

Isolator 隔离器芯片

Digital Isolator (数字隔离器)

Part No.	VDD	Data Rate	Channel	Forward/Reverse	Viso	Default Output	Integrated Power	Package	Reference	Application
BLD7720AL	2.7~5.5V	90Mbps	2	2/0	2500Vrms	L	No	SOP8	ISO7720 Si86220 ADUM1200	电机控制, 电源系统
BLD7720AH	2.7~5.5V	90Mbps	2	2/0	2500Vrms	H	No	SOP8		电机控制, 电源系统
BLD7721AL	2.7~5.5V	90Mbps	2	1/1	2500Vrms	L	No	SOP8	ISO7721 Si8622 ADUM1201	电机控制, 电源系统
BLD7721AH	2.7~5.5V	90Mbps	2	1/1	2500Vrms	H	No	SOP8		电机控制, 电源系统
BLD7741BL	2.7~5.5V	90Mbps	4	3/1	5000Vrms	L	No	SOIC16	ISO7741 Si8641 ADUM1401	电机控制, 电源系统
BLD7741BH	2.7~5.5V	90Mbps	4	3/1	5000Vrms	H	No	SOIC16		电机控制, 电源系统
BLD7742BL	2.7~5.5V	90Mbps	4	2/2	5000Vrms	L	No	SOIC16	ISO7742 Si8642 ADUM1402	电机控制, 电源系统
BLD7742BH	2.7~5.5V	90Mbps	4	2/2	5000Vrms	H	No	SOIC16		电机控制, 电源系统

Smart Meter IC 表计芯片

Energy Measurement ASIC (电能计量专用电路)

Part No.	Measurement	Power Consumption	ADC Channels	Output	Clock	VDD	Calibration Free	Package	Application
BL0921	Active	20mW	3	Pulse	Internal	5.0V	×	SOP16	单相防窃电能表
BL6501A	Active	15mW	3	Pulse	3.58MHz	5.0V	×	SSOP24	单相防窃电能表
BL0930F	Active 3000:1	10mW	2	Pulse	Internal	3.3V		TSSOP14	单相有功电能表 支持自动化校表
BL6503E	Active	15mW	2	Pulse	3.58MHz	5.0V	×	SSOP24	单相有功电能表
BL6513C	Active 3000:1	25mW	6	Pulse	3.58MHz	5.0V	×	SOP24	三相有功电能表
BL6523B	Multifunction (Active 5000:1, I, V, P, S, PF, Freq.)	25mW	3	Pulse/SPI	3.58MHz	5.0V	×	SSOP24	国网单相多功能电能表
BL6523GX	PF, V, P, Multifunction (Active 6000:1, I, Freq.), S	25mW	3	UART/Pulse	3.58MHz	5.0V	×	SOP16	国网单相多功能电能表

Measurement IC Of IOT(物联网计量电路)

Part No.	Measurement	Power Consumption	ADC Channels	Output	Clock	VDD	Calibration Free	Package	Application
BL0937	Multifunction (Active, I, V, P.)	6mW	2	Pulse	Internal	3.3V	×	SOP8	智能插座
BL0939	Multifunction (Active, I, V, P.)	10mW	3	UART/SPI	Internal	3.3V	✓	SOP16 SSOP20	电动自行车充电桩 单相智能断路器
BL0940	Multifunction (Active, I, V, P.)	8mW	2	UART/SPI	Internal	3.3V	✓	TSSOP14	DALI2.0 智能照明 智能家电计量模块
BL0942	Multifunction (Active, I, V, P, Freq.)	10mW	2	UART/SPI	Internal	3.3V	✓	SSOP10 TSSOP14	智能插座 智能家电计量模块
BL0910	1U10I Or 3U6I, Multifunction (Active 5000:1, Reactive 5000:1, Freq., PF, Q, S, P, V, I)	30mW	11	UART/SPI	Internal	3.3V	✓	LQFP48	多路充电桩 智能 PDU
BL0956	1U6I, Multifunction (Active 5000:1, Reactive 5000:1, Freq., PF, Q, S, P, V, I)/DC 2000:1	30mW	7	UART/SPI	Internal	3.3V	✓	LQFP32	直流检测模块
BL6552	3U4I, Multifunction (Active 5000:1, Reactive 5000:1, Freq., PF, Q, S, P, V, I)	30mW	7	UART/SPI	3.58MHz	3.3V		QFN36	三相智能断路器 三相电能质量监测
BL0972	1U1I, Multifunction DC 2000:1	30mW	2	SPI	Internal	3.3V	×	TSSOP20	直流监控设备

SoC (电能表专用系统级芯片)

Part No.	CPU	VDD	Flash	RAM	Measurement Features	LCD Driver	GPIO	RTC	Crystal(Hz)	Encrypt	I ² C	SPI	UART	7816	Package
BL66A0042	ARM-M0	2.4~5.5V	256KB	16KB	3×Σ-Δ	4COM×22SEG 6COM×20SEG 8COM×18SEG	42	✓	32.768K	AES 256/ 192/128	1	1	4	2	LQFP64 (7×7)

LCD Display Driver (液晶显示驱动芯片)

Part No.	Features	IDD (Power Saving)	IDD (Normal Mode)	Interface	Supple Voltage	Package	Reference
BL55024	4 x 15 SEG	9 μ A@3.3V	25 μ A@5V	Two-wire Serial	2.5~5.5V	SOP24	
BL55028	4 x 19 SEG	9 μ A@3.3V	25 μ A@5V	Two-wire Serial	2.5~5.5V	SOP28	
BL55066	4 x 24 SEG	9 μ A@3.3V	25 μ A@5V	Two-wire Serial	2.5~5.5V	LQFP44	PCF8566
BL55070	4 x 35 SEG	9 μ A@3.3V	25 μ A@5V	Two-wire Serial	2.5~5.5V	LQFP44	
BL55072A	4 x 36 SEG	7.5 μ A@3.3V	10 μ A@5V	Two-wire Serial	2.5~5.5V	TSSOP48	BU9792
BL55077	4 x 40 SEG	9 μ A@3.3V	25 μ A@5V	Two-wire Serial	2.5~5.5V	LQFP64	PCF8576
BL55080	8 x 35 SEG	8 μ A@3.3V	10 μ A@5V	Two-wire Serial	2.5~5.5V	TSSOP48 LQFP48	BU97950

Power Line Communication Modem Chip (电力线载波通信调制解调电路)

Application: AMR, Lighting Control, Fire Monitoring, Building Automation

Part No.	General Description	Supple Voltage	Frequency Band (Adaptive)	Data Rate (Adaptive)	Standard	Sensitivity	Package
BL6810	BPSK/DSSS Narrow Band PLC SoC	4.5~5.5V	131.58 kHz / 263.16 kHz /312.5 kHz / 416.67kHz	5.48kbps/783bps/87bps	EIA709.2	<1 μ V	LQFP32

Relay Driver (磁保持继电器驱动芯片)

Part No.	Features	Standby	Rds(on) Typ.	Output	VDD	Package	Application
BL8023C	Bidirectional Relay Driver	<1 μ A	12 Ω @Vin=12V 10 Ω @Vin=30V	300mA	5.0~36V	DIP8 SOP8	电表, 功率补偿器, 磁保持继电器
BL8023D	Bidirectional Relay Driver	<1 μ A	12 Ω @Vin=12V 10 Ω @Vin=30V	300mA	5.0~36V	SOT23-6	电表, 功率补偿器, 磁保持继电器
BL8023F	Bidirectional Relay Driver	<1 μ A	12 Ω @Vin=12V 10 Ω @Vin=30V	300mA	5.0~36V	SOT23-6	电表, 功率补偿器, 磁保持继电器
BL8023H	Bidirectional Relay Driver	<1 μ A	7 Ω @Vin=12V 6.5 Ω @Vin=30V	400mA	5.0~40V	SOT23-6	电表, 功率补偿器, 磁保持继电器
BL8023K	Bidirectional Relay Driver	<1 μ A	7 Ω @Vin=12V A、B R _{in} =20K Ω	400mA	5.0~40V	SOT23-6	电表, 功率补偿器, 磁保持继电器

Standard Interface Circuit 接口电路

Analog Switch (模拟开关)

Part No.	Mode	Features	VDD	Package	Applications	Reference
BL1551	SPDT	2.7Ω 300MHz Low-Voltage Analog Switch	1.8~5.5V	SC70-6	Mobile Phone, Portable Electronic Devices	FSA3157 NLASB3157
BL1555	SPDT	0.3Ω 33MHz Bandwidth Dual SPDT Analog Switch	1.65~5.5V	MSOP10 QFN1.8x1.4-10L	Mobile Phone, Portable Electronic Devices	SGM3005 SGM5223
BL1530	DPDT	High Speed USB 2.0(480Mbps)	2.3~5.0V	TQFN10 MSOP10	Mobile phone, DC and Notebook	SGM7222 FSUSB30
BL1532	DPDT	High Speed USB 2.0(480Mbps)	2.3~5.0V	TQFN10 MSOP10	Mobile phone, DC and Notebook	SGM7227 FSUSB42

Class AB Audio Amplifier (AB 类音频功放电路)

Applications: (1) Mobile phone, (2) PDA and handheld terminal, (3) MP3/MP4 player, (4) Portable DVD, (5) MID, (6) Multimedia Speaker

Part No.	Features	Output	PSRR	VDD	Package	Applications	Reference
BL6281	Audio Power Amplifier	1.7W	60dB	2.2~5.5V	MSOP8 SOP8	(1) (3) (5)	LM4990
BL6282	Audio Power Amplifier	1.7W	60dB	2.2~5.5V	SOP8	(4) (6)	LM4871 XX8002

Class D Audio Amplifier (D 类音频功放电路)

Applications: (1) Digital Photo Frame, (2) GPS/PND, (3) USB Speaker, (4) Portable DVD, (5) TV.

Part No.	Features	Output	PSRR	VDD	Package	Applications	Reference
BL6306	Mono Filter-Free Class D Audio Power Amplifier	2.6 W	75dB	2.5~5.5V	MSOP8 DFN8 SOP8	(1) (2) (3) (4)	TPA2005
BL6356	Stereo Class D Audio Power Amplifier	10W x 2	62dB	4.0~12V	TSSOP28	(3) (5)	TPA3110

*Order by Output Watt

Interface Circuit (RS-485 接口电路)

Part No.	Features	VDD	Data Rate(Max.)	ICC	Package	Max. Points	Range Of Temp.	Reference
BL3085	18KV ESD Protected RS485 Transceivers	5.0V	500kbps	0.2mA	SOP8	256	-40~+85℃	MAX3085
BL3085N	18KV ESD Protected RS485 Transceivers	5.0V	500kbps	0.2mA	SOP8	256	-40~+85℃	Self-adaption
BL3085B	18KV ESD Protected RS485 Transceivers	5.0V	250kbps	0.2mA	SOP8	256	-40~+85℃	MAX3085
BL3085A(H)	15KV ESD Protected RS485 Transceivers	3.3V, 5.0V	250kbps	0.4mA	SOP8	256	-40~+85℃	MAX3085
BL1587	15KV ESD Protected RS485 Transceivers	5.0V	2Mbps	0.9mA	SOP8	128	-40~+85℃	
BL1587DN	15KV ESD Protected RS485 Transceivers	5.0V	2Mbps	0.9mA	DFN8	128	-40~+85℃	

Video Filter Driver (视频滤波驱动)

Part No.	Features	-3dB BandWidth	VDD	ESD	Package	Applications	Reference
BL1513	3 Channel 5 th Order Standard Definition Video Filter Driver	7.7 MHz	3.3~5.5V	8KV	SOP8 MSOP8	Set Top Box	SGM9119
BL1511	1 Channel 5 th Order Standard Definition Video Filter Driver	8 MHz	3.3~5.5V	8KV	SC70-5	Set Top Box	SGM9111
BL1511B	1 Channel 5 th Order Standard Definition Video Filter Driver	8 MHz	3.3~5.5V	8KV	SC70-5	Set Top Box	SGM9113

Amplifiers 放大器

Part No.	CH	SHDN	Vcc(Min.)V	Vcc(Max.)V	Vos(mV)	Iq/CH(μA)	IB	GBP(MHz)	PSR(dB)	CMR(dB)	Package
BL321	1	N	3	25	5	430	45nA	1	85	90	SOT23-5
BL358	2	N	3	25	5	430	45nA	1	85	90	SOP8

ADC/DAC 数据转换器芯片

Part No.	Features	SNR	SFDR	Power	Interface	Package
BLAD16D80	16bit 80 MS/s 1.8V Dual Channel ADC	77.5dBFS @10MHz input 65.3dBFS @300MHz input	90.0dBc @10MHz input 78.0dBc @300MHz input	477mW	CMOS/LVDS	QFN64
BLAD16D125	16bit 125 MS/s 1.8V Dual Channel ADC	77.5dBFS @10MHz input 66.0dBFS @300MHz input	90.0dBc @10MHz input 76.0dBc @300MHz input	796mW	CMOS/LVDS	QFN64
BLAD14Q80	14bit 80 MS/s 1.8V Quad Channel ADC	72.6dBFS @10MHz input 68.5dBFS @200MHz input	85.5dBFS @10MHz input 70.5dBFS @200MHz input	525mW	Serial-LVDS	QFN48
BLAD14Q125	14bit 125 MS/s 1.8V Quad Channel ADC	72.3dBFS @10MHz input 68.0dBFS @305MHz input	85.0dBc @10MHz input 70.0dBc @305MHz input	600mW	Serial-LVDS	QFN48
BLAD16Q125	16bit 125 MS/s 1.8V Quad Channel ADC	78.6dBFS @10MHz input 72.8dBFS @305MHz input	90.0dBc @10MHz input 75.0dBc @305MHz input	620mW	Serial-LVDS	QFN48
BL1040	14bit 80 MS/s 1.8V Dual Channel ADC	76.5dBFS @10MHz input 70.4dBFS @200MHz input	88.0dBc @10MHz input 79.6dBc @200MHz input	477mW	CMOS/LVDS	QFN64
BL1063	16bit 125 MS/s 1.8V Quad Channel ADC	81.1dBFS @10MHz input 72.9dBFS @305MHz input	81.1dBFS @10MHz input 72.9dBFS @305MHz input	832mW	JESD204B	QFN56
BL1064	16bit 80 MS/s 1.8V/3.3V Dual ADC	76.6dBFS @10MHz input 72.5dBFS @200MHz input	85.5dBFS @10MHz input 79.5dBFS @200MHz input	525mW	CMOS	QFN64
BL1045	8 Channel 14bit 125 MS/s 1.8V ADC	72.6dBFS @10MHz input 68.8dBFS @305MHz input	85.0dBc @10MHz input 70.0dBc @305MHz input	1.25W	Serial-LVDS	BGA196
BL1065	8 Channel 16bit 125 MS/s 1.8V ADC	78.6dBFS @10MHz input 72.8dBFS @305MHz input	90.0dBc @10MHz input 75.0dBc @305MHz input	1.25W	Serial-LVDS	BGA196
BL1081	8 Channel 16 bits 100KS/s Simultaneous Sampling Data Acquisition System	86.0dBFS @1KHz input	105dBFS @1KHz input	150mW	SPI	QFP64
BL1082	8 Channel 16 bits 200KS/s Simultaneous Sampling Data Acquisition System	86.0dBFS @1KHz input	105dBFS @1KHz input	165mW	SPI	QFP64
BL1086	4 Channel 16 bits 320KS/s Simultaneous Sampling Data Acquisition System	88.0dBFS @1KHz input	105dBFS @1KHz input	105mW	SPI	QFP64
BL1088	16 Channel 16bits 1MS/s Simultaneous Sampling Data Acquisition System	88.0dBFS @1KHz input	105dBFS @1KHz input	285mW	SPI with CRC	QFP72
BL1080	18bits 2MS/s SAR ADC	95.0dBFS @1KHz input	110dBFS @1KHz input	30mW	SPI	QFN32
BL1031	2 Channel 16bits 250MS/s DAC	-160dBm/Hz NSD	80.0dBc @20MHz output	400mW	CMOS	QFN72

Voltage References 电压基准源芯片

Part No.	Features	Output	Input	Temp Range	Temperature Drift	Initial Accuracy	Noise	Package
BLR120	High Precision Voltage Reference	2.048V	12V Max.	-40°C~125°C	5ppm Typical 10ppm Max.	0.05%	16μVpp	SOIC8
BLR125	High Precision Voltage Reference	2.5V	12V Max.	-40°C~125°C	5ppm Typical 10ppm Max.	0.05%	20μVpp	SOIC8
BLR133	High Precision Voltage Reference	3.3V	12V Max.	-40°C~125°C	5ppm Typical 10ppm Max.	0.05%	24μVpp	SOIC8
BLR140	High Precision Voltage Reference	4.096V	12V Max.	-40°C~125°C	5ppm Typical 10ppm Max.	0.05%	30μVpp	SOIC8
BLR150	High Precision Voltage Reference	5.0V	12V Max.	-40°C~125°C	5ppm Typical 10ppm Max.	0.05%	37μVpp	SOIC8

Programmable Unit 可编程类

General Purpose MCU (通用微控制器)

Part No.	VDD	ROM	RAM	TIMER	OSC	I/O	INT	ADC	PWM	Package	OTHER
BL23P42	2.4~5.5V	4Kx8 OTP	128B	2x16bit	ILRC 32KHz, IRC 8MHz	18	4	17CHx12bit	2CH	SOP16 SOP20 QFN20	STOP, WAIT, KBI, CMP, UART
BL23P516	1.8~3.6V	16Kx8 OTP	512B	3x16bit	ILRC 32KHz, IRC 8MHz	49	4	5CHx12bit	-	LQFP48 LQFP64	STOP, WAIT, KBI, LCD, CMP, UART
BL23M1610	1.8~5.5V	16Kx8 MTP	512B	3x16bit	ILRC 32KHz, IRC 8MHz	22	4	13CHx12bit	3CH	SOP20 QFN20 QFN24	STOP, WAIT, KBI, CMP, I ² C, UART
BL32F3210	2.0~5.5V	32Kx8 Flash	2KB	3x16bit	ILRC 32KHz, IRC 24MHz	26	26	15CHx12bit	3CH	TSSOP20 TSSOP28 QFN20 QFN24	STOP, WAIT, I ² C, UART

Analog Microcontroller (模拟微控制器)

Part No.	VDD	IRC	ROM	RAM	GPIO	Timer	PWM	USART	I ² C	ADC	DAC	Temperature Sensor	Package
BL32F3202NP	2.0~5.5V	32MHz	32K Flash	2KB	17	3 x16bit	3CH	1	2	10 + 1	-	±2°C	QFN20
BL32F3212NQ	2.0~5.5V	32MHz	32K Flash	2KB	20	3 x16bit	3CH	1	2	14 + 1	-	±2°C	QFN24
BL32F3212NR	2.0~5.5V	32MHz	32K Flash	2KB	29	3 x16bit	3CH	1	2	22 + 1	-	±2°C	QFN32
BL32F3222NQ	2.0~5.5V	32MHz	32K Flash	2KB	20	3 x16bit	3CH	1	2	14 + 1	12bit x2CH	±2°C	QFN24
BL32F3222NR	2.0~5.5V	32MHz	32K Flash	2KB	29	3 x16bit	3CH	1	2	22 + 1	12bit x2CH	±2°C	QFN32

Drive Circuit 驱动电路

DC Motor Driver (马达驱动)

Part No.	VIN	Channel	Continuous Current	Peak Current	OTP	Package	Application
BL8310MD	2.0~6.8V	1	1A	1.5A	Y	DFN8(2x2)	水气表,智能锁,电动牙刷
BL8310MDS	2.0~6.8V	1	1A	1.5A	Y	SOP8	水汽表,智能锁
BL6208	2.1~6.8V	1	1A	1.5A	Y	SOP8	IR-CUT,电动牙刷
BL113	2.1~6.8V	1	1A	1.5A	Y	SOT23-6	水汽表
BL5610	2.5~12V	1	1.2A	2A	Y	SOP8	智能锁
BL8320MD	2.7~12V	1	1.5A	2.5A	Y	DFN8(2x2)	水气表,玩具
BL8320MDS	2.7~12V	1	1.5A	2.5A	Y	SOP8	水气表,玩具
BL5612	3.0~25V	1	1.5A	3.5A	Y	SOP8	断路器
BL5616	3.0~25V	1	1.5A	3.5A	Y	SOP8	断路器,智能开关
BL5617	3.0~25V	1	3A	5A	Y	SOP8	断路器,智能锁

Darlington Transistor Arrays (达林顿驱动)

Part No.	Drivers Per Package	Output Current (Max.)	Output Voltage (Max.)	Package	Application
ULN2003	7	500mA	50V	SOP16	小家电,安防,步进马达
ULN2803	8	500mA	50V	SOP18 QFN20(4x4)	小家电,安防,步进马达
ULN2803L	8	500mA	7V	CPC20	安防

Smoke Detector (烟雾检测电路)

Part No.	Features	Hush	Output Signal	Standby Current	UL Certified	Package
BL5910	Photoelectric Type With I/O	N/A	Continuous Alarm	10μA	Pass	DIP16 SOP16
BL5912	Photoelectric Type With I/O	N/A	Temporal Alarm	10μA	Pass	DIP16 SOP16
BL5980	Low Voltage Photoelectric Smoke Detector ASIC With Interconnect And Timer Mode	Yes	Continuous /Temporal Selectable	1μA		SOP16

Real Time Clock (低功耗实时时钟)

Part No.	Alarm Sets	Periodic INT	Standby	CLK/INT Output	Clock Adj.	I/O	Clock VDD	Work VDD	Package	Reference
BL5372	2	2Hz to 1 Month	400nA @5.0V	Open Drain	Yes	Two-wire Serial	1.8~5.5V	1.8~5.5V	SOP8 TSSOP8	5C372
BM8563	1	NA	550nA @5.0V	Open Drain	No	Two-wire Serial	1.5~5.5V	1.5~5.5V	SOP8 TSSOP8 MSOP8	PCF8563

MOS Driver (MOSFET 驱动芯片)

Part No.	Features	Channel	Power Inside	Isolation	VIN	VNEG	System Power Support	IOUT	Package	Application
BLD1002	MOS Driver	2 × Half Bridge	2W Flyback With MOS	No	100V Max.	-	100V Max.	0.5A	QFP48	光伏 MPPT, 直流电源模块
BLD2113	MOS Driver	Half Bridge	No	No Build-in BSD	10~20V	-9V	600V	2.5A	SOP16	数字电源系统和电机控制 (PIN2PIN IR2113)
BLD2136	MOS Driver	3 Phase Driver	No	No Build-in BSD	10~20V	-7V	800V	0.35A	SOP28	电机控制 (PIN2PIN IR2136)

LED Driver LED 照明/背光驱动电路

PFC Controller With PSR For LED Driver (高 PFC 高效隔离恒流驱动电路)

Part No.	Features	Mode	VIN	Current Accu.	Package	Reference
BL8329	PSR Single-Stage APFC Offline LED Controller	PWM	85~264V(AC)	±3%	SOP8 SOT23-6	BP3319 SY5830

Current Ripple Removing Circuit (去纹波电流控制电路)

Part No.	Features	MOS	Package	Reference
BL8392	Current Ripple Removing Circuit	Ext-MOS	SOT23-6	JW1221A

DC/DC LED Driver (DC/DC LED 驱动电路)

Application: LED lighting driver

Part No.	Features	Mode	VIN	IOUT	Current Accu.	IQ	Package	Reference
BL9582B	High Brightness Step-down LED Driver With Internal Switch Driving Up To 9 High Power LEDs, Operating Temperature Range: -40~125°C	Hysteretic Control, 1MHz Max.	6.0~32V	1.4A	±4%	50μA	SOT89-5	PT4115

EEPROM 存储器

Part No.	Capacity	Interface	VDD	Package	Reference
BL24C02F	2K bits	Two-wire Serial	1.7~5.5V	DIP8 SOP8 TSSOP8 UDFN8 TSOT23-5 SOT23-5	24C02
BL24C04F	4K bits	Two-wire Serial	1.7~5.5V	DIP8 SOP8 TSSOP8 UDFN8 TSOT23-5 SOT23-5	24C04
BL24C08F	8K bits	Two-wire Serial	1.7~5.5V	DIP8 SOP8 TSSOP8 UDFN8 TSOT23-5 SOT23-5	24C08
BL24C16F	16K bits	Two-wire Serial	1.7~5.5V	DIP8 SOP8 TSSOP8 UDFN8 TSOT23-5 SOT23-5	24C16
BL24C32F	32K bits	Two-wire Serial	1.7~5.5V	DIP8 SOP8 TSSOP8 UDFN8 TSOT23-5 SOT23-5	24C32
BL24C64A	64K bits	Two-wire Serial	1.7~5.5V	DIP8 SOP8 TSSOP8 UDFN8 TSOT23-5 SOT23-5 WLCSP4	24C64
BL24SA64	64K bits	Two-wire Serial	1.7~5.5V	WLCSP4	24SA64
BL24SA64B	64K bits	Two-wire Serial	1.7~5.5V	WLCSP4	24SA64
BL24SA64C	64K bits	Two-wire Serial	1.7~5.5V	WLCSP4	24SA64
BL24SA64D	64K bits	Two-wire Serial	1.7~5.5V	WLCSP4	24SA64
BL24C128A	128K bits	Two-wire Serial	1.7~5.5V	DIP8 SOP8 TSSOP8 UDFN8 WLCSP4	24C128
BL24SA128A	128K bits	Two-wire Serial	1.7~5.5V	WLCSP4	24SA128
BL24SA128B	128K bits	Two-wire Serial	1.7~3.6V	WLCSP4	24SA128
BL24SA128D	128K bits	Two-wire Serial	1.7~3.6V	WLCSP4	24SA128
BL24C256A	256K bits	Two-wire Serial	1.7~5.5V	DIP8 SOP8 TSSOP8 UDFN8 TSOT23-5 SOT23-5	24C256
BL24SA256B	256K bits	Two-wire Serial	1.7~5.5V	WLCSP4	24SA256
BL24C512A	512K bits	Two-wire Serial	1.7~5.5V	DIP8 SOP8 TSSOP8 UDFN8 TSOT23-5 SOT23-5	24C512
BL24CM1A	1024K bits	Two-wire Serial	2.0~5.5V	DIP8 SOP8 TSSOP8 UDFN8	24C1024
BL24CM2A	2048K bits	Two-wire Serial	2.8~5.5V	DIP8 SOP8 WLCSP8	24C2048
BL25CM1A	1024K bits	Serial Peripheral Interface	2.8~5.5V	DIP8 SOP8 WLCSP8	25C1024
BL25CM2A	2048K bits	Serial Peripheral Interface	2.8~5.5V	DIP8 SOP8 WLCSP8	25C2048
BL34C02A	2K bits	Two-wire Serial	1.7~3.6V	TSSOP8 UDFN8	34C02
BL34C04A	4K bits	Two-wire Serial	1.7~3.6V	UDFN8	34C04
BL34TS00A	Temperature Sensor	Two-wire Serial	1.7~3.6V	UDFN8	34TS00
BL34TS02A	2K bits + Temperature Sensor	Two-wire Serial	1.7~3.6V	UDFN8	34TS02
BL34TS04A	4K bits + Temperature Sensor	Two-wire Serial	1.7~3.6V	UDFN8	34TS04

MOSFET 金属氧化物半导体场效应晶体管

Trench MOSFET (沟槽场效应晶体管)

Part No.	BV(V)	I _D (A)	R _{DS(ON)} (mΩ)@V _{GS} = 10V		R _{DS(ON)} (mΩ)@V _{GS} = 4.5V		R _{DS(ON)} (mΩ)@V _{GS} = 2.5V		V _{TH} (V)			Package
			Typ.	Max.	Typ.	Max.	Typ.	Max.	Min.	Typ.	Max.	
BLM1216Y	-12	-8.0	-	-	11.5	18	14	22	-0.4	-0.7	-1.0	SOT23
BLM2301	-20	-3.0	-	-	46	70	62	100	-0.4	-0.7	-1.0	SOT23
BLM3415	-20	-4.0	-	-	34	45	44	60	-0.35	-0.55	-0.9	SOT23
BLM2305	-20	-4.1	-	-	43	52	58	75	-0.45	-0.7	-1.0	SOT23
BLM08P02	-20	-25	6.0	8.0	7.0	9.0	9.0	13	-0.4	-0.7	-1.0	TO252 PDFN3.3×3.3 PDFN5×6 SOP8
BLM3401	-30	-4.2	45	54	50	65	63	88	-0.7	-1.0	-1.3	SOT23
BLM3401AY	-30	-4.4	42	52	48	65	68	120	-0.6	-1.0	-1.3	SOT23
BLM3407	-30	-4.1	48	60	70	91	-	-	-1.0	-1.5	-2.4	SOT23
BLM3407AY	-30	-4.1	55	65	75	95	-	-	-1.0	-1.5	-2.4	SOT23
BLM4953	-30	-5.1	48	60	70	91	-	-	-1.0	-1.5	-2.4	SOP8
BLM9435	-30	-5.1	48	60	70	91	-	-	-1.0	-1.5	-2.4	SOP8
BLM4435	-30	-9.1	15	20	21	35	-	-	-1.0	-1.5	-2.4	SOP8
BLM4407	-30	-12	11.5	14	17	24	-	-	-1.0	-1.5	-2.4	SOP8
BLM10P03	-30	-24	7.0	9.0	10	15	-	-	-1.0	-1.5	-2.4	TO252 PDFN3.3×3.3 PDFN5×6 SOP8
BLM40P05	-40	-3.3	69	80	110	130	-	-	-1.0	-1.5	-2.4	SOT23
BLM40P07S	-40	-6.2	16	25	21	30	-	-	-1.0	-1.5	-2.4	SOP8
BLM30P04	-40	-8.0	25	30	35	50	-	-	-1.0	-1.5	-2.4	SOT23 SOP8
BLM80P10	-100	-20	70	84	90	117	-	-	-1.0	-1.7	-2.4	TO220 TO252
BLM2302	20	2.9	-	-	30	45	37	59	0.5	0.75	1.2	SOT23
BLM8205	20	4.0	-	-	21	27	27	37	0.5	0.7	1.2	SOT23-6
BLM2004NE	20	6.0	-	-	17	24	22	30	0.45	0.7	1.0	SOT23-6
BLM2008E	20	6.0	-	-	17	24	22	31	0.45	0.7	1.0	TSSOP8
BLM8205A	20	6.0	-	-	21	27	27	37	0.5	0.7	1.2	TSSOP8
BLM8205B	20	6.0	-	-	16	22	19	27	0.5	0.7	1.2	TSSOP8
BLM9926	20	6.0	-	-	26	30	36	40	0.5	0.7	1.2	SOP8
BLM3416	20	6.5	-	-	19	24	23	30	0.45	0.7	1.0	SOT23
BLM8205BF	20	6.5	-	-	14.5	22	19	27	0.5	0.7	1.2	SOT23 TSSOP8
BLM2010E	20	7.0	-	-	16	21	20	27	0.5	0.65	0.9	TSSOP8
BLM3400	30	5.8	31	41	34	45	45	59	0.7	0.9	1.4	SOT23

Part No.	BV(V)	I _D (A)	R _{DS(ON)} (mΩ)@V _{GS} = 10V		R _{DS(ON)} (mΩ)@V _{GS} = 4.5V		R _{DS(ON)} (mΩ)@V _{GS} = 2.5V		V _{TH} (V)			Package
			Typ.	Max.	Typ.	Max.	Typ.	Max.	Min.	Typ.	Max.	
BLM3404	30	5.8	25.5	31	36	43	-	-	1.0	1.6	2.4	SOT23
BLM3050K	30	50	8.0	11	10	16	-	-	1.0	1.6	2.4	TO252
BLM30N06L	60	20	25	30	35	50	-	-	1.0	1.7	2.4	TO252
BLM15N06L	60	60	11	15	20	30	-	-	1.0	1.7	2.4	TO252
BLM15N06	60	60	12	15	-	-	-	-	2.0	3.0	4.0	TO252
BLM12N06L	60	70	9.0	12	14	25	-	-	1.0	1.7	2.4	TO252
BLM12N06	60	70	10	12	-	-	-	-	2.0	3.0	4.0	TO252
BLM08N06	60	80	7.0	8.0	-	-	-	-	2.0	3.0	4.0	TO220 TO252
BLM07N06	60	95	6.0	7.0	-	-	-	-	2.0	3.0	4.0	TO220 TO252
BLM04N06	60	150	3.0	4.0	-	-	-	-	2.0	3.0	4.0	TO220 TO263
BLM09N68	68	70	7.5	9.0	-	-	-	-	2.0	3.0	4.0	TO220 TO252
BLM08N68	68	90	7.0	8.0	-	-	-	-	2.0	3.0	4.0	TO220 TO252
BLM14N08	80	60	12	14	-	-	-	-	2.0	3.0	4.0	TO220 TO252
BLM12N08	80	70	10	12	-	-	-	-	2.0	3.0	4.0	TO220 TO252
BLM06N08	80	140	4.9	5.9	-	-	-	-	2.0	3.0	4.0	TO220 TO263
BLM04N08	80	200	3.5	4.2	-	-	-	-	2.0	3.0	4.0	TO220 TO263
BLM90N10L	100	10	72	90	110	150	-	-	1.0	1.8	2.4	TO252
BLM35N10L	100	20	28	35	38	50	-	-	1.0	1.8	2.4	TO252
BLM35N10	100	20	29	35	-	-	-	-	2.0	3.0	4.0	TO252
BLM30N10L	100	25	25	30	35	45	-	-	1.0	1.8	2.4	TO252
BLM30N10	100	25	28	35	-	-	-	-	2.0	3.0	4.0	TO252
BLM22N10	100	50	18	22	-	-	-	-	2.0	3.0	4.0	TO220 TO252
BLM16N10	100	60	13	16	-	-	-	-	2.0	3.0	4.0	TO220 TO252
BLM08N10	100	110	7.0	8.0	-	-	-	-	2.0	3.0	4.0	TO220 TO263
BLM06N10	100	140	5.0	6.0	-	-	-	-	2.0	3.0	4.0	TO220 TO263

Double Trench MOSFET (双沟槽场效应晶体管)

Part No.	BV(V)	I _D (A)	R _{DS(ON)} (mΩ)@V _{GS} = 10V		R _{DS(ON)} (mΩ)@V _{GS} = 4.5V		V _{TH} (V)			Package
			Typ.	Max.	Typ.	Max.	Min.	Typ.	Max.	
BLP25N06L	60	10	17	20	22	27	1.0	2.0	3.0	PDFN 3.3×3.3
BLP05N08G	85	120	4.4	5.0	-	-	2.0	3.0	4.0	TO220 TO263
BLP065N08G	85	80	5.4	6.5	-	-	2.0	3.0	4.0	TO220 TO263
BLP10N10	100	30	8.0	10	-	-	2.0	3.0	4.0	TO252 PDFN5×6
BLP10N10L	100	30	8.0	10	11	15	1.0	1.8	2.5	TO252 PDFN5×6
BLP08N10	100	50	6.8	8.0	-	-	2.0	3.0	4.0	TO252 PDFN5×6
BLP08N10L	100	50	6.8	8.0	9.0	12	1.0	1.8	2.5	TO252 PDFN5×6
BLP12N10	100	30	10	12	-	-	2.0	3.0	4.0	TO252 PDFN5×6
BLP12N10L	100	30	10	12	13	17	1.0	1.8	2.5	TO252 PDFN5×6
BLP150N10	100	150	3.6	4.5	-	-	2.0	3.0	4.0	TO220 TO263

High Voltage Planar MOSFET (高压平面型场效应晶体管)

Part No.	V _{DSS} (V)	I _D (A)	R _{DS(ON)} (Ω)@V _{GS} = 10V		V _{GS(th)} (V)			Package
			Typ.	Max.	Min.	Typ.	Max.	
BL36N12L	120	36	0.05	0.06	1.5	2.0	2.5	TO251 TO252
BL25N15L	150	25	0.075	0.09	0.4	0.6	1.3	TO251 TO252
BL25N15BL	150	25	0.065	0.08	1.5	2.0	2.5	TO251 TO252
BS108	200	0.3	-	5.0	0.4	-	1.8	TO92
BL9N20L	200	9.0	0.27	0.32	1.0	1.5	2.0	TO251 TO252
BL9N20	200	9.0	0.27	0.32	2.0	3.0	4.0	TO251 TO252
BL15N20	200	15	0.14	0.2	2.0	3.0	4.0	TO251 TO252
BL18N20L	200	18	0.12	0.15	1.5	2.0	2.5	TO220F TO220 TO251 TO252
BL18N20	200	18	0.12	0.15	2.0	3.0	4.0	TO220F TO220 TO251 TO252
BL30N20	200	30	0.071	0.085	2.0	3.0	4.0	TO220F TO220 TO251 TO252
BL30N20B	200	30	0.065	0.075	2.0	3.0	4.0	TO220F TO220 TO251 TO252
BL70N20B	200	70	0.032	0.036	2.0	3.0	4.0	TO247 TO3PN
BL80N20BL	200	80	0.02	0.025	0.4	0.6	1.3	TO247 TO3PN
BL80N20B	200	80	0.02	0.025	2.0	3.0	4.0	TO247 TO3PN
BL80N20L	200	80	0.022	0.028	0.4	0.6	1.3	TO247 TO3PN
BL80N20	200	80	0.022	0.028	2.0	3.0	4.0	TO247 TO3PN

Part No.	V _{DSS} (V)	I _D (A)	R _{DS(ON)} (Ω)@V _{GS} = 10V		V _{GS(th)} (V)			Package
			Typ.	Max.	Min.	Typ.	Max.	
BL9N25	250	9.0	0.32	0.4	2.0	3.0	4.0	TO220F TO220 TO251 TO252
BL13N25L	250	13	0.17	0.21	1.5	2.0	2.5	TO220F TO220 TO251 TO252
BL13N25	250	13	0.17	0.21	2.0	3.0	4.0	TO220F TO220 TO251 TO252
BL15N25	250	15	0.18	0.22	2.0	3.0	4.0	TO220F TO220 TO251 TO252
BL18N25	250	18	0.16	0.2	2.0	3.0	4.0	TO220F TO220 TO251 TO252
BL28N25	250	28	0.13	0.16	2.0	3.0	4.0	TO220F TO220 TO251 TO252
BL33N25B	250	33	0.1	0.13	2.0	3.0	4.0	TO220F TO220
BL33N25	250	33	0.11	0.15	2.0	3.0	4.0	TO220F TO220
BL40N25B	250	40	0.06	0.07	2.0	3.0	4.0	TO247 TO3PN
BL40N25	250	40	0.065	0.08	2.0	3.0	4.0	TO247 TO3PN
BL60N25B	250	60	0.038	0.045	2.0	3.0	4.0	TO247 TO3PN
BL60N25	250	60	0.042	0.05	2.0	3.0	4.0	TO247 TO3PN
BL90N25B	250	90	0.025	0.03	2.0	3.0	4.0	TO247 TO3PN
BL90N25	250	90	0.027	0.032	2.0	3.0	4.0	TO247 TO3PN
BL13N30	300	13	0.21	0.25	2.0	3.0	4.0	TO220F TO220 TO251 TO252
BL30N30	300	30	0.11	0.14	2.0	3.0	4.0	TO220 TO220F TO263
BL40N30L	300	40	0.09	0.11	0.4	0.6	1.3	TO247 TO3PN
BL40N30	300	40	0.09	0.11	2.0	3.0	4.0	TO247 TO3PN
BL50N30	300	50	0.05	0.06	2.0	3.0	4.0	TO247 TO3PN
BL59N30	300	59	0.032	0.041	2.0	3.0	4.0	TO247 TO3PN
BL6N40L	400	6.0	0.75	0.9	0.4	0.6	1.3	TO251 TO252 TO220F TO220
BL6N40	400	6.0	0.75	0.9	2.0	3.0	4.0	TO251 TO252 TO220F TO220
BL10N40	400	10	0.4	0.46	2.0	3.0	4.0	TO251 TO252 TO220F TO220
BL11N40	400	11	0.37	0.45	2.0	3.0	4.0	TO220F TO220 TO251 TO252
BL19N40	400	19	0.22	0.27	2.0	3.0	4.0	TO220F TO220
BL25N40	400	25	0.135	0.27	2.0	3.0	4.0	TO220F TO220 TO247 TO3PN
BL35N40	400	35	0.09	0.11	2.0	3.0	4.0	TO247 TO3PN
BL2N50	500	2.0	2.5	3.0	2.0	3.0	4.0	TO220F TO220 TO251 TO252
BL5N50	500	5.0	1.31	1.57	2.0	3.0	4.0	TO251 TO252 TO220F TO220
BL5N50A	500	5.0	1.45	1.75	2.0	3.0	4.0	TO251 TO252 TO220F TO220

Part No.	V _{DSS} (V)	I _D (A)	R _{DS(ON)} (Ω)@V _{GS} = 10V		V _{GS(th)} (V)			Package
			Typ.	Max.	Min.	Typ.	Max.	
BL8N50	500	8.0	0.73	0.9	2.0	3.0	4.0	TO220F TO220 TO251 TO252
BL8N50C	500	8.0	0.6	0.72	2.0	3.0	4.0	TO220F TO220 TO251 TO252
BL9N50	500	9.0	0.57	0.7	2.0	3.0	4.0	TO251 TO252 TO220 TO220F
BL12N50	500	12	0.52	0.62	2.0	3.0	4.0	TO220 TO220F
BL13N50	500	13	0.37	0.46	2.0	3.0	4.0	TO220 TO220F
BL15N50	500	15	0.27	0.36	2.0	3.0	4.0	TO220 TO220F
BL20N50	500	20	0.21	0.28	2.0	3.0	4.0	TO220 TO220F TO3PF TO3PN
BL23N50	500	23	0.22	0.27	2.0	3.0	4.0	TO220F TO220 TO3PN TO3PF
BL25N50	500	25	0.15	0.21	2.0	3.0	4.0	TO3PF TO3PN
BL30N50	500	30	0.08	0.12	2.0	3.0	4.0	TO247 TO3PN
BL2N60	600	2.0	3.4	4.0	2.0	3.0	4.0	TO251 TO252 TO220 TO220F
BL4N60A	600	4.0	2.2	2.6	2.0	3.0	4.0	TO251 TO252 TO220 TO220F
BL4N60	600	4.0	1.7	2.0	2.0	3.0	4.0	TO251 TO252 TO220 TO220F
BL7N60A	600	7.0	1.0	1.25	2.0	3.0	4.0	TO251 TO252 TO220 TO220F
BL8N60	600	8.0	0.85	1.0	2.0	3.0	4.0	TO251 TO252 TO220 TO220F
BL10N60A	600	10	0.67	0.8	2.0	3.0	4.0	TO220 TO220F
BL10N60	600	10	0.47	0.6	2.0	3.0	4.0	TO220 TO220F
BL12N60A	600	12	0.46	0.56	2.0	3.0	4.0	TO220 TO220F
BL12N60	600	12	0.4	0.5	2.0	3.0	4.0	TO220 TO220F
BL20N60	600	20	0.29	0.4	2.0	3.0	4.0	TO220 TO220F TO247 TO3PN
BL25N60	600	25	0.19	0.26	2.0	3.0	4.0	TO247 TO3PN
BL30N60	600	30	0.11	0.15	2.0	3.0	4.0	TO247 TO3PN
BL2N65	650	2.0	4.5	5.4	2.0	3.0	4.0	TO251 TO252 TO220 TO220F
BL4N65A	650	4.0	2.3	2.9	2.0	3.0	4.0	TO251 TO252 TO220 TO220F
BL4N65	650	4.0	2.0	2.6	2.0	3.0	4.0	TO251 TO252 TO220 TO220F
BL7N65	650	7.0	1.0	1.25	2.0	3.0	4.0	TO251 TO252 TO220 TO220F
BL7N65A	650	7.0	1.2	1.55	2.0	3.0	4.0	TO251 TO252 TO220 TO220F
BL7N65B	650	7.0	1.0	1.25	2.0	3.0	4.0	TO251 TO252 TO220 TO220F
BL8N65	650	8.0	0.98	1.2	2.0	3.0	4.0	TO251 TO252 TO220 TO220F
BL10N65A	650	10	0.8	1.0	2.0	3.0	4.0	TO220 TO220F

Part No.	V _{DSS} (V)	I _D (A)	R _{DS(ON)} (Ω)@V _{GS} = 10V		V _{GS(th)} (V)			Package
			Typ.	Max.	Min.	Typ.	Max.	
BL10N65	650	10	0.55	0.75	2.0	3.0	4.0	TO220 TO220F
BL12N65A	650	12	0.54	0.72	2.0	3.0	4.0	TO220 TO220F
BL12N65	650	12	0.45	0.54	2.0	3.0	4.0	TO220 TO220F
BL20N65	650	20	0.38	0.46	2.0	3.0	4.0	TO220 TO220F TO247 TO3PN
BL25N65	650	25	0.25	0.28	2.0	3.0	4.0	TO247 TO3PN
BL30N65	650	30	0.15	0.18	2.0	3.0	4.0	TO247 TO3PN
BL2N70	700	2.0	5.0	6.0	2.0	3.0	4.0	TO251 TO252 TO220 TO220F
BL4N70	700	4.0	2.4	2.8	2.0	3.0	4.0	TO251 TO252 TO220 TO220F
BL4N70A	700	4.0	3.0	3.5	2.0	3.0	4.0	TO251 TO252 TO220 TO220F
BL6N70A	700	6.0	1.5	1.9	2.0	3.0	4.0	TO251 TO252 TO220 TO220F
BL7N70A	700	7.0	1.1	1.3	2.0	3.0	4.0	TO251 TO252 TO220 TO220F
BL7N70	700	7.0	1.2	1.4	2.0	3.0	4.0	TO251 TO252 TO220 TO220F
BL10N70A	700	10	1.0	1.2	2.0	3.0	4.0	TO220 TO220F
BL10N70	700	10	0.7	0.85	2.0	3.0	4.0	TO220 TO220F
BL12N70A	700	12	0.66	0.8	2.0	3.0	4.0	TO220 TO220F
BL12N70	700	12	0.59	0.7	2.0	3.0	4.0	TO220 TO220F
BL4N80A	800	3.5	3.41	4.0	2.8	-	4.2	TO220 TO220F TO252 TO251
BL4N80	800	4.0	2.47	3.0	3.0	3.5	4.0	TO220 TO220F TO251 TO252
BL4N80E	800	4.0	4.47	5.3	3.0	3.5	4.0	TO220 TO220F TO251 TO252
BL10N80	800	10	0.59	0.7	3.0	3.5	4.0	TO220 TO220F TO3PN TO3PF TO247
BL3N90	900	3.0	3.9	4.5	2.8	-	4.2	TO220 TO220F TO252 TO251
BL3N90E	900	3.0	4.6	5.5	3.0	3.5	4.0	TO220F TO251 TO252
BL4N90	900	4.0	2.6	3.0	3.0	3.5	4.0	TO220 TO220F TO251 TO252
BL9N90	900	9.0	0.72	0.86	3.0	3.5	4.0	TO220 TO220F TO3PN TO3PF TO247
BL2N100	1000	2.0	5.2	6.0	3.0	3.5	4.0	TO220 TO220F TO3PN TO3PF TO247
BL3N100	1000	3.0	3.2	4.0	3.0	3.5	4.0	TO220 TO220F TO251 TO252
BL3N100E	1000	2.5	6.2	7.5	3.0	3.5	4.0	TO220 TO220F TO251 TO252
BL8N100	1000	8.0	1.0	1.2	3.0	3.5	4.0	TO220 TO220F TO3PN TO3PF TO247
BL3N105	1050	3.0	4.0	4.8	3.0	3.5	4.0	TO220 TO220F TO251 TO252
BL3N120	1200	3.0	5.0	6.0	3.0	4.0	5.0	TO220 TO220F TO251 TO252

Part No.	V _{DSS} (V)	I _D (A)	R _{DS(ON)} (Ω)@V _{GS} = 10V		V _{GS(th)} (V)			Package
			Typ.	Max.	Min.	Typ.	Max.	
BL4N120	1200	4.0	2.9	3.5	3.0	4.0	5.0	TO220 TO220F TO247 TO3PF TO3PN
BL6N120	1200	6.0	2.1	2.5	3.0	4.0	5.0	TO220 TO220F TO247 TO3PF TO3PN
BL5N135	1350	5.0	3.0	3.6	3.0	4.0	5.0	TO220 TO220F TO3PN TO3PF TO247
BL2N150	1500	2.0	8.3	10	3.0	4.0	5.0	TO220 TO220F TO251 TO252
BL3N150	1500	3.0	4.8	6.0	3.0	4.0	5.0	TO220 TO220F TO247 TO3PF TO3PN
BL4N150	1500	4.0	3.5	4.2	3.0	4.0	5.0	TO220 TO220F TO247 TO3PF TO3PN
BSP304	-300	0.17	-	17	-1.7	-	-2.55	TO92

High Voltage Super Junction MOSFET (高压超结型场效应晶体管)

Part No.	V _{DSS} (V)	I _D (A)	R _{DS(ON)} (Ω)@V _{GS} = 10V		V _{GS(th)} (V)			Package
			Typ.	Max.	Min.	Typ.	Max.	
BLS60R520	600	8.0	0.46	0.52	3.0	3.5	4.0	TO220 TO220F TO251 TO252
BLS60R360	600	11	0.31	0.36	2.5	3.0	3.5	TO220 TO220F TO251 TO252
BLS60R380F	600	11	0.33	0.38	3.5	4.0	4.5	TO220 TO220F TO251 TO252
BLS60R150	600	25	0.12	0.15	3.0	3.5	4.0	TO220 TO220F TO247 TO3PN
BLS60R150F	600	25	0.13	0.15	3.5	4.0	4.5	TO220 TO220F TO247 TO3PN
BLS60R036	600	80	0.032	0.036	3.5	4.0	4.5	TO247 TO3PN
BLS60R600EF	600	7.0	0.52	0.6	3.5	4.0	4.5	TO220 TO220F TO251 TO252
BLS60R560EF	600	8.0	0.45	0.58	3.0	3.5	4.0	TO220 TO220F TO251 TO252
BLS60R520EP	600	8.0	0.46	0.59	3.0	3.5	4.0	TO220 TO220F TO251 TO252
BLS60R160	600	24	0.14	0.16	2.0	3.0	4.0	TO220
BLS60R390F	600	11	0.32	0.39	3.0	4.0	5.0	TO220
BLS65R620F	650	8.0	0.55	0.71	3.5	4.0	4.5	TO220 TO220F TO251 TO252
BLS65R560	650	8.0	0.5	0.56	3.0	3.5	4.0	TO220 TO220F TO251 TO252
BLS65R380	650	11	0.33	0.38	2.5	3.0	3.5	TO220 TO220F TO251 TO252
BLS65R165	650	24	0.33	0.17	3.0	3.5	4.0	TO220 TO220F TO247 TO3PN
BLS65R041F	650	80	0.33	0.042	3.5	4.0	4.5	TO247 TO3PN
BLS70R600	700	8.0	0.33	0.6	3.0	3.5	4.0	TO220 TO220F TO251 TO252
BLS70R420	700	11	0.33	0.42	2.5	3.0	3.5	TO220 TO220F TO251 TO252
BLS70R180	700	23	0.33	0.18	3.0	3.5	4.0	TO220 TO220F TO247 TO3PN

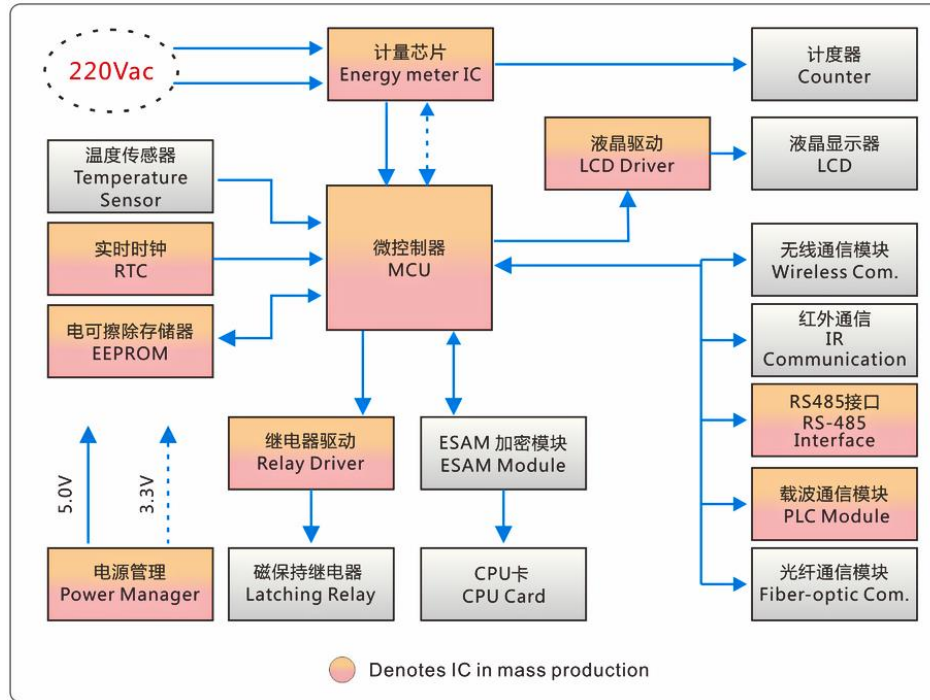
Part No.	V _{DSS} (V)	I _D (A)	R _{DS(ON)} (Ω)@V _{GS} = 10V		V _{GS(th)} (V)			Package
			Typ.	Max.	Min.	Typ.	Max.	
BLS80R760	800	10	0.59	0.76	2.5	3.0	3.5	TO220 TO220F TO251 TO252
BLS80R990	800	7.0	0.88	1.1	2.5	3.0	3.5	TO220 TO220F TO251 TO252
BLS80R1K0E	800	8.0	0.89	1.1	2.5	3.0	3.5	TO220 TO220F TO251 TO252 SOT223

IGBT 绝缘栅双极晶体管

Part No.	BV _{CES} (V)	I _C (A)	V _{CE(sat)} (V)		V _{GS(th)} (V)			T _{don} (ns)	Tr(ns)	T _{doff} (ns)	T _f (ns)	E _{on} (mJ)	E _{off} (mJ)	Package
			Typ.	Max.	Min.	Typ.	Max.	Typ.	Typ.	Typ.	Typ.	Typ.	Typ.	
BLG3040	400	17	1.3	1.6	1.3	1.8	2.2	-	-	-	-	-	-	TO252
BLG15T65FUL	650	15	1.5	1.8	3.7	4.5	5.3	15	10	130	32	0.1	0.15	TO220
BLG40T120FDH	1200	40	2.1	2.4	5.0	5.8	6.5	54	105	263	40	6.0	1.50	TO247
BLG40T120FUH	1200	40	2.1	2.4	5.0	5.8	6.5	54	105	263	40	6.0	1.50	TO247
BLG40T120FUK	1200	40	2.3	2.6	5.0	5.8	6.5	54	105	247	33	5.5	1.15	TO247

Belling Solutions 贝岭解决方案

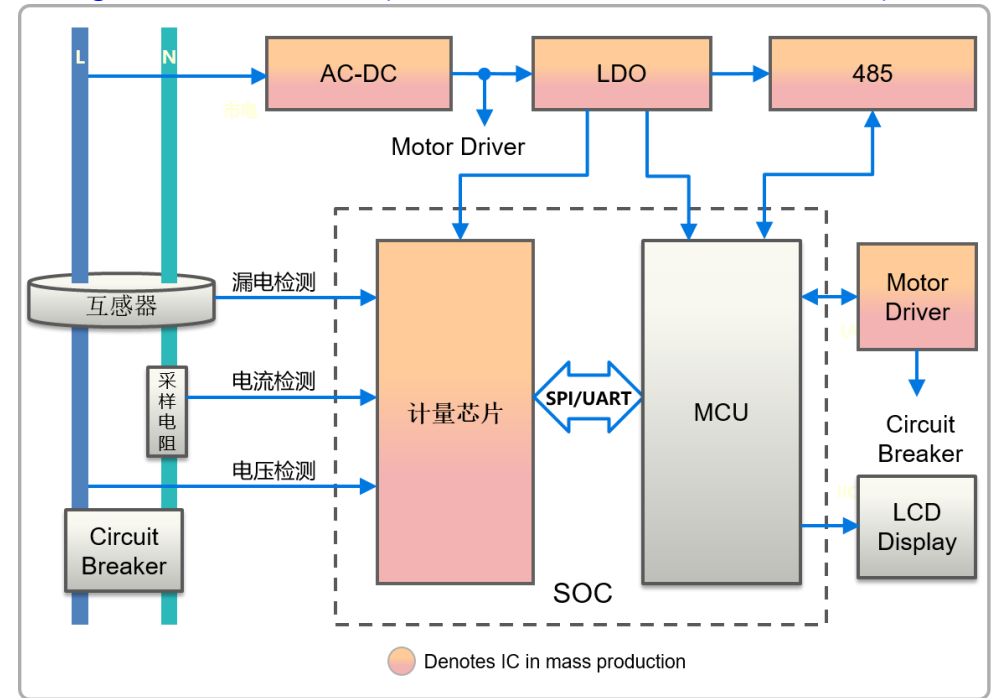
Belling Energy Metering Solution (贝岭 IC 在智能电表中的应用)



各电表方案选型推荐表

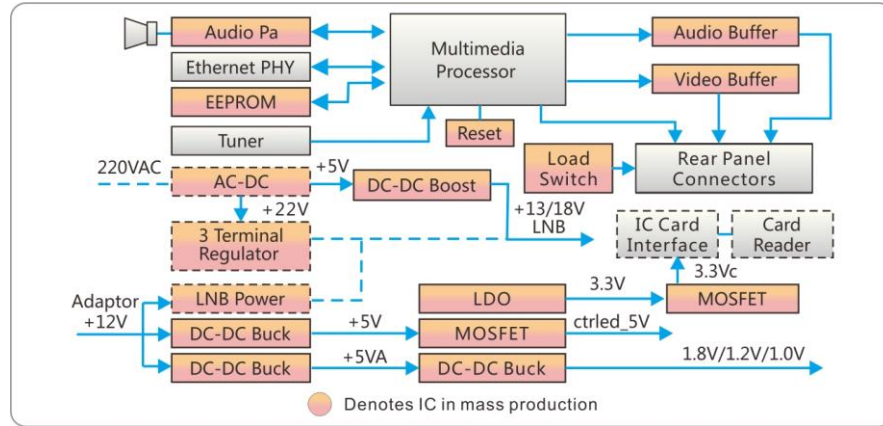
电表方案类型推荐	计量产品	液晶驱动	AC/DC	485 接口	DC-DC	Relay Driver
国网单相智能电表方案	BL6523GX	BL55072A	BL8812	BL3085	BL9352A	BL8023
南网单相智能电表方案	BL6523GX	BL55072A	BL8812	BL3085	BL9352A	BL8023
三相普通有功电表方案	BL6513C	BL55066/28	-	BL3085	-	-
三相多功能表	-	BL55080	BL8802	BL3085	-	BL8023

Belling Smart MCB Solution (贝岭 IC 在智能微型断路器中的应用)



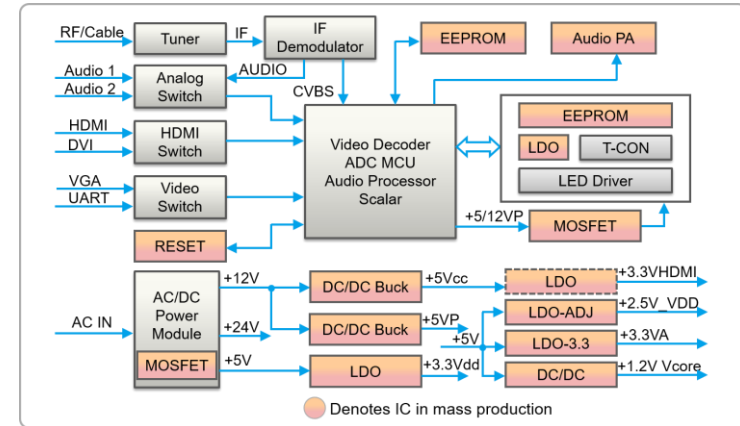
Type	Part No.	Description	Package
Energy Measurement ASIC	BL0939	Single Phase Multifunction, Calibration Free	SOP16 SSOP20
	BL6523B	Single Phase Multifunction	SSOP24
Energy Measurement SOC	BL66A0042	Single Phase Multifunction With ARM-M0, LCD Driver, RTC	LQFP64(7x7)
Interface Circuit	BL3085	18KV ESD Protected, Fail Safe, 500KHz	SOP8
	BL8802	Built-in 1000V Power MOSFET, PSR	DIP7
	BL8812	Built-in 650V Power MOSFET, PSR	SOP7
AC-DC	BL8851	External MOSFET, SSR, Max. 60W	SOT23-6
	BL9161	5.5V / 300mA	SOT23-5
LDO	BL9161	5.5V / 300mA	SOT23-5
Motor Driver	BL5612	25V 1.5A With OTP and OCP	SOP8

Belling STB Solution (贝岭 IC 在机顶盒中的应用)



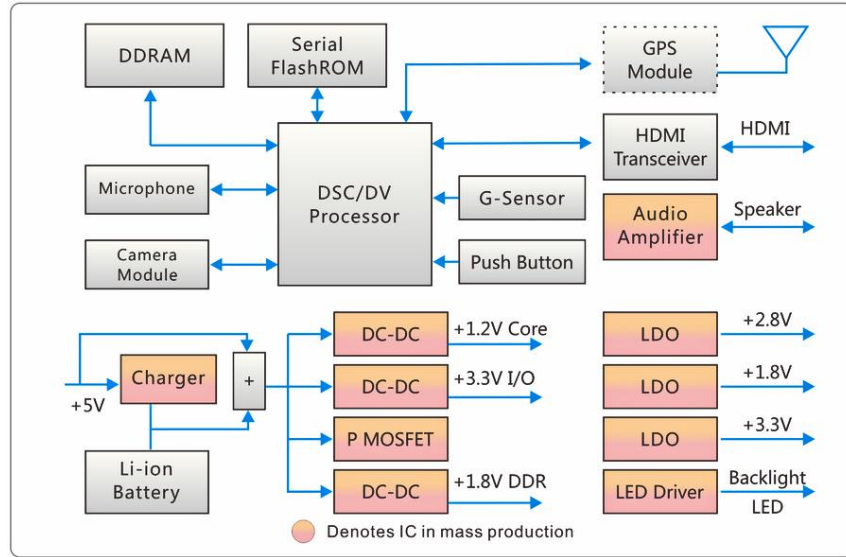
Type	Part No.	Description	Package
Linear Voltage Regulator	BL1117	1A Bipolar LDO	SOT223 TO252
	BL9110	1A CMOS LDO	SOT223 TO252
3 Terminal Regulator	BL317B	1.5A Bipolar Adjustable	TO220 SOT223 TO252
DC-DC Buck Converter	BL8028	1.5A /6V 1.5MHz DC-DC Sync Buck PWM/PFM	SOT23-5
	BL8032S	2A /16V Synchronous Buck	SOT23-6
	BL8032	2A /18V Synchronous Buck	SOT23-6
	BL9309	2A/5.5V DC/DC Synchronous Buck	SOP8
	BL8033	3A /16V Synchronous Buck	SOT23-6
	BL8034	4A /16V Synchronous Buck	ESOP8
Reset	BL8518	Voltage Detector, Reset	SOT23-3 SOT23-5
EEPROM	BL24CXXX	2K~2048Kbit EEPROM	DIP8 SOP8 TSSOP8 UDFN8 TSOT23-5 WLCSP4
Audio	BL6281	1.7W Class AB	MSOP8 SOP8
	BL6282	1.7W Class AB	SOP8
	BL6306	2.6W Class D	MSOP8
Analog Switch	BL1551	2.7Ω 300MHz SPDT	SC70-6
Video Buffer	BL1511/B	1 channel 5 th Order SDTV Video Filter	SC70-5
	BL1513	3 channel 5 th Order SDTV Video Filter	SOP8
MOSFET	BLM2301	20V/3.0A, 46mΩ P-MOSFET	SOT23-3
	BLM3400	30V/5.8A, 31mΩ N-MOSFET	SOT23-3
	BLM3401	30V/4.2A, 50mΩ P-MOSFET	SOT23-3
	BLM7002K	60V/0.3A 1mΩ N-MOSFET With ESD Diode	SOT23-3
Load Switch	BL2555	Max 2A Current Limit Load Switch	SOT23-5
AC-DC	BL8891B	15W Current Mode PWM Power Switch	DIP7

Belling LCD TV Solution (贝岭 IC 在平板电视中的应用)



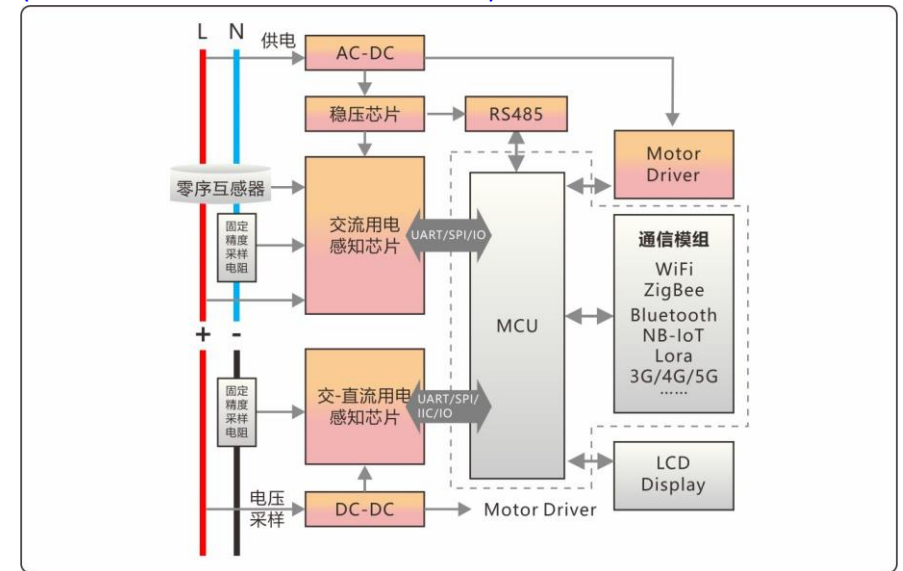
Type	Part No.	Description	Package
LDO	BL1117	1A Bipolar LDO	SOT223 TO252
	BL1118	Dual 1A Bipolar LDO	ESOP8
	BL9110 /8071	1A/1.5A CMOS LDO	SOT223 TO252
	BL1084 /1085	5A/3A Bipolar LDO	TO252 TO263
	BL9195 /9198	300mA CMOS LDO	SOT23-3 SOT23-5
	BL8568	500mA CMOS LDO	SOT23-5
DC-DC Sync Buck	BL8028	1.5A /6V 2MHz DC-DC Sync	SOT23-5 DFN1x1-6L
	BL8032S	2A /16V Synchronous Buck	SOT23-6
	BL8032	2A /18V Synchronous Buck	SOT23-6
	BL8032H	2A /18V 1 MHz Sync DC/DC	SOT23-6
	BL8033	3A /16V Sync DC/DC Step-Down	SOT23-6
	BL8034	4A /16V Sync DC/DC Step-Down	ESOP8
Reset	BL8518	Voltage Detector, Reset	SOT23-3 SOT23-5
EEPROM	BL24CXXX	2K~2048Kbit EEPROM	DIP8 SOP8 TSSOP8 UDFN8 TSOT23-5 WLCSP4
Audio PA	BL6356	10W x 2 Class D	TSSOP28
MOSFET	BLM3407	30V/4.1A, 46mΩ P-MOSFET	SOT23-3
	BLM3401	30V/4.2A, 50mΩ P-MOSFET	SOT23-3
	BLM9435	30V/5.1A, 48mΩ P-MOSFET	SOP8
	BL15N50	500V/15A, 290mΩ N-MOSFET	TO220 TO220F
	BL20N50	500V/20A, 230mΩ N-MOSFET	TO220 TO220F TO3PF
	BLS65R380	650V/11A, 330mΩ N-MOSFET	TO220 TO220F TO251
	BLS70R420	700V/11A, 350mΩ N-MOSFET	TO220 TO220F TO251

Belling Car Black Box Solution (贝岭 IC 在行车记录仪中的应用)



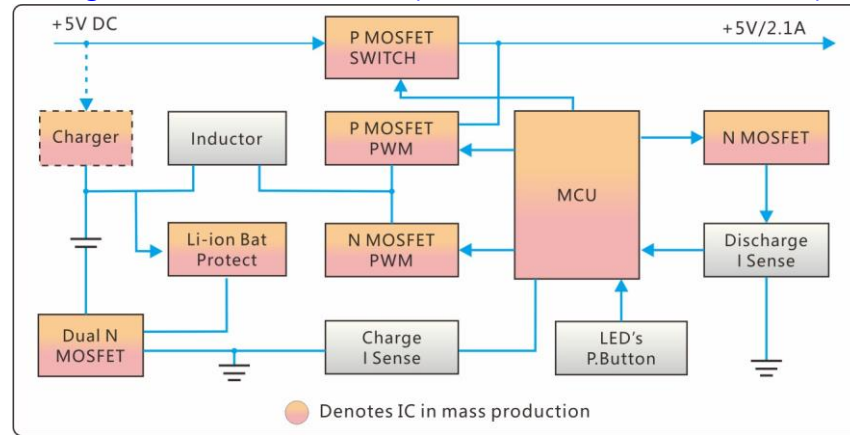
Type	Part No.	Description	Package
DC-DC	BL8028	1.5A/6V 2MHz Sync Buck	SOT23-5 DFN2x2-6
LDO	BL8062	3µA Quiescent Current 250mA	SOT23-3 SOT89-3
	BL9198	300mA/6V High PSRR CMOS LDO	SOT23-5 SC-70
	BL9161	300mA/5.5V High PSRR CMOS LDO	SOT23-5 SC-70 DFN1x1-4
	BL9162	300mA/5.5V High PSRR CMOS LDO	SOT23-5 SC-70 DFN1x1-4
	BL9165	500mA/5.5V High PSRR CMOS LDO	SOT23-5 SC-70 DFN1x1-4
	BL8568	500mA High PSRR LDO	SOT23-5 SC-70 DFN1x1-4
Li-ion Battery Charger	BL4054B	800mA Linear Li-ion Battery Charger	SOT23-5 TSOT23-5
	BL4056C	1A Linear Li-ion Battery Charger	ESOP8
	BL8573	0.5A/1.5A Linear Li-ion Battery Charger	SOT23-6 ESOP8
Reset	BL8518	Voltage Detector, Reset	SOT23-3 SOT23-5
MOSFET	BLM2301	20V/3.0A, 46mΩ P-MOSFET	SOT23-3
	BLM2305	20V/4.1A, 43mΩ P-MOSFET	SOT23-3
	BLM3401	30V/4.2A, 50mΩ P-MOSFET	SOT23-3
Audio Amplifier	BL6306	2.6W Class D Audio Amplifier	DFN8 SOP8 MSOP8
	BL6281	1.7W Class AB Audio Amplifier	MSOP8 SOP8

Belling Power Signal Sensor and Wireless Transmission System Solution (贝岭 IC 在用电感知系统中的应用)



Type	Part No.	Description	Package
AC Power Sensing Chip	BL0937	1 Channel AC Power Sensing Chip	SOP8
	BL0939	2 Channel AC Power Sensing Chip	SOP16 SSOP20
	BL0940	1 Channel AC Power Sensing Chip Up to 105°C Environment Temperature	TSSOP14
	BL0942	1 Channel AC Power Sensing Chip	SSOP10 TSSOP14
	BL0910	10 Channel AC Power Sensing Chip	LQFP48
	DC Power Sensing Chip	BL0972	1 Channel DC Power Sensing Chip
BL0956		6 Channel DC Power Sensing Chip	LQFP32
AC-DC	BL8812	12W With Internal 650V Power MOSFET	SOP7
	BL8851	Max. 60W With External Power MOSFET	SOT23-6
Motor Driver	BL5612	1.5A 3.0~25V H-Bridge Driver	SOP8
	BL5617	3.0A 3.0~25V H-Bridge Driver	SOP8
RS485	BL3085	RS485 Interface	SOP8
LDO	BL9162	5.5V 300mA LDO	DFN1x1 SOT23-5
	BL78L05D	42V 100mA Voltage Regulators	SOT89-3

Belling Mobile Power Solution (贝岭 IC 在移动电源中的应用)



Type	Part No.	Description	Package
MCU	BL32F3210	32bit M0 CPU With 33KB Flash, 15Chx12bit ADC and Programmable PWM	TSSOP20 TSSOP28 QFN20 QFN24
LDO	BL8503	Micro Power 250mA LDO	SOT23-3 SOT89-3 TO92
	BL8077	0.8μA Iq 300mA LDO	DFN1x1-4 SOT23-5
	BL8064	1μA Micro Power 200mA LDO	SOT23-3 SOT89-3
Charger	BL4054B	800mA Lion Battery Charger	SOT23-5 TSOT23-5
	BL4056C	4.2V/4.35V 1A Li-ion Battery Charger	ESOP8
	BL8573	4.2V/4.35V 0.5A/1.5A Li-ion Battery Charger	ESOP8 SOT23-6
MOSFET	BLM2302	20V/2.9A, 30mΩ N MOSFET	SOT23-3
	BLM3401	30V/4.2A, 50mΩ P MOSFET	SOT23-3
	BLM3400	30V/5.8A, 31mΩ N MOSFET	SOP8
	BLM9926	20V/6.0A, 26mΩ Dual N MOSFET	SOP8
	BLM8205	20V/4.0A, 21mΩ Dual N MOSFET	SOT23-6
	BLM8205A	20V/6.0A, 21mΩ Dual N MOSFET	TSSOP8
	BLM8205B	20V/6.0A, 16mΩ Dual N MOSFET	SOT23-6 TSSOP8

Introduction of Shanghai Belling 上海贝岭简介



- 上海贝岭公司创建于 1988 年，是国内集成电路行业的第一家中外合资企业。1998 年改制上市，成为中国集成电路行业第一家上市公司。公司于 2008 年起转型为集成电路设计企业，2015 年成为世界财富 500 强中国电子信息产业集团有限公司(CEC)旗下集成电路业务平台华大半导体的核心子企业，华大半导体是公司控股股东，也是国内前十的 IC 设计企业。
- 上海贝岭地处上海市漕河泾新兴技术开发区，拥有国家级企业技术中心。公司专注于集成电路芯片设计和产品应用开发，是国内集成电路产品主要供应商之一。公司重点发展消费类和工控类两大产品板块业务，目前集成电路产品业务细分为电源管理、智能计量及 SoC、非挥发存储器、功率器件和高速高精度 ADC 等 5 大产品领域，主要目标市场为电表、手机、液晶电视及平板显示、机顶盒等各类工业及消费电子产品。
- 上海贝岭依靠自身以及华大半导体的集群优势，与国内晶圆制造、封装测试企业建立了长期、稳定的上下游合作关系，良好的产业链资源为公司快速响应市场需求提供了有力保障。除上海总部外，公司还设有深圳、北京销售办事处，为客户提供方便快捷的服务。公司拥有强大的 FAE 团队支持能力，能帮助客户快速完成产品设计导入、创造更多价值。
- 公司成立之初即引进欧洲先进的技术和质量管理体系，以可靠的产品质量树立长久的品牌形象。公司自 2004 年起通过 BVQI ISO14001 第三方认证，一直坚持促进经济可持续发展，预防污染，并将此理念向上级供应链传递。2010 年开始，公司主动升级产品环保标准，公司产品全部满足 ROHS、无卤、REACH 等环保标准。
- 公司将围绕“服务国家战略，实现自主可控，成为掌握核心技术的模拟 IC 主流供应商”的发展目标，打造华大半导体旗下功率器件和模拟电路业务平台，并行发展工控市场及海量市场业务，朝着成为国内一流的模拟集成电路和功率器件设计公司的目标不断努力。

Index of Part Number -1 型号索引 1

BL0910	6	BL12N50	19	BL24C04F	14	BL3085A(H)	8	BL4056C	4	BL5N50	18
BL0921	6	BL12N60	19	BL24C08F	14	BL3085B	8	BL40N25	18	BL5N50A	18
BL0930F	6	BL12N60A	19	BL24C128A	14	BL3085N	8	BL40N25B	18	BL60N25	18
BL0937	6	BL12N65	20	BL24C16F	14	BL30N20	17	BL40N30	18	BL60N25B	18
BL0939	6	BL12N65A	20	BL24C256A	14	BL30N20B	17	BL40N30L	18	BL6208	12
BL0940	6	BL12N70	20	BL24C32F	14	BL30N30	18	BL4N120	21	BL6281	8
BL0942	6	BL12N70A	20	BL24C512A	14	BL30N50	19	BL4N150	21	BL6282	8
BL0956	6	BL13N25	18	BL24C64A	14	BL30N60	19	BL4N60	19	BL6306	8
BL0972	6	BL13N25L	18	BL24CM1A	14	BL30N65	20	BL4N60A	19	BL6356	8
BL1031	10	BL13N30	18	BL24CM2A	14	BL317B	4	BL4N65	19	BL6501A	6
BL1040	10	BL13N50	19	BL24SA128A	14	BL321	9	BL4N65A	19	BL6503E	6
BL1045	10	BL1511	9	BL24SA128B	14	BL32F3202NP	11	BL4N70	20	BL6513C	6
BL1063	10	BL1511B	9	BL24SA128D	14	BL32F3210	11	BL4N70A	20	BL6523B	6
BL1064	10	BL1513	9	BL24SA256B	14	BL32F3212NQ	11	BL4N80	20	BL6523GX	6
BL1065	10	BL1530	8	BL24SA64	14	BL32F3212NR	11	BL4N80A	20	BL6552	6
BL1080	10	BL1532	8	BL24SA64B	14	BL32F3222NQ	11	BL4N80E	20	BL66A0042	6
BL1081	10	BL1551	8	BL24SA64C	14	BL32F3222NR	11	BL4N90	20	BL6810	7
BL1082	10	BL1555	8	BL24SA64D	14	BL33N25	18	BL50N30	18	BL6N120	21
BL1084	4	BL1587	8	BL2555	4	BL33N25B	18	BL5372	12	BL6N40	18
BL1085	4	BL1587DN	8	BL25CM1A	14	BL34C02A	14	BL55024	7	BL6N40L	18
BL1086	10	BL15N20	17	BL25CM2A	14	BL34C04A	14	BL55028	7	BL6N70A	20
BL1088	10	BL15N25	18	BL25N15BL	17	BL34TS00A	14	BL55066	7	BL70N20B	17
BL10N40	18	BL15N50	19	BL25N15L	17	BL34TS02A	14	BL55070	7	BL78L05	4
BL10N60	19	BL18N20	17	BL25N40	18	BL34TS04A	14	BL55072A	7	BL78L05D	4
BL10N60A	19	BL18N20L	17	BL25N50	19	BL358	9	BL55077	7	BL7N60A	19
BL10N65	20	BL18N25	18	BL25N60	19	BL35N40	18	BL55080	7	BL7N65	19
BL10N65A	19	BL19N40	18	BL25N65	20	BL36N12L	17	BL5610	12	BL7N65A	19
BL10N70	20	BL20N50	19	BL28N25	18	BL3N100	20	BL5612	12	BL7N65B	19
BL10N70A	20	BL20N60	19	BL2N100	20	BL3N100E	20	BL5616	12	BL7N70	20
BL10N80	20	BL20N65	20	BL2N150	21	BL3N105	20	BL5617	12	BL7N70A	20
BL1117	4	BL23M1610	11	BL2N50	18	BL3N120	20	BL5910	12	BL8023C	7
BL1117C	4	BL23N50	19	BL2N60	19	BL3N150	21	BL5912	12	BL8023D	7
BL1118	4	BL23P42	11	BL2N65	19	BL3N90	20	BL5980	12	BL8023F	7
BL113	12	BL23P516	11	BL2N70	20	BL3N90E	20	BL59N30	18	BL8023H	7
BL11N40	18	BL24C02F	14	BL3085	8	BL4054B	4	BL5N135	21	BL8023K	7

Index of Part Number -2 型号索引 2

BL8026	1	BL8392	13	BL9195	2	BLM04N06	16	BLM3407	15	BLS60R150	21
BL8028	1	BL8503	2	BL9198	2	BLM04N08	16	BLM3407AY	15	BLS60R150F	21
BL8029	1	BL8506	5	BL9309	1	BLM06N08	16	BLM3415	15	BLS60R160	21
BL8032	1	BL8511	5	BL9315	1	BLM06N10	16	BLM3416	15	BLS60R360	21
BL8032H	1	BL8518	5	BL9342	1	BLM07N06	16	BLM35N10	16	BLS60R380F	21
BL8032S	1	BL8531	2	BL9352A	1	BLM08N06	16	BLM35N10L	16	BLS60R390F	21
BL8033	1	BL8531C	2	BL9359	1	BLM08N10	16	BLM40P05	15	BLS60R520	21
BL8034	1	BL8536	2	BL9362	1	BLM08N68	16	BLM40P07S	15	BLS60R520EP	21
BL8035	1	BL8555	2	BL9582B	13	BLM08P02	15	BLM4407	15	BLS60R560EF	21
BL8036	1	BL8558	3	BL9N20	17	BLM09N68	16	BLM4435	15	BLS60R600EF	21
BL8037	1	BL8563	2	BL9N20L	17	BLM10P03	15	BLM4953	15	BLS65R041F	21
BL8061	2	BL8565	3	BL9N25	18	BLM1216Y	15	BLM80P10	15	BLS65R165	21
BL8062	2	BL8566	3	BL9N50	19	BLM12N06	16	BLM8205	15	BLS65R380	21
BL8063	2	BL8568	3	BL9N90	20	BLM12N06L	16	BLM8205A	15	BLS65R560	21
BL8064	2	BL8569	3	BLAD14Q125	10	BLM12N08	16	BLM8205B	15	BLS65R620F	21
BL8067	2	BL8573	4	BLAD14Q80	10	BLM14N08	16	BLM8205BF	15	BLS70R180	21
BL8067A	3	BL8574	4	BLAD16D125	10	BLM15N06	16	BLM90N10L	16	BLS70R420	21
BL8071	3	BL8576	4	BLAD16D80	10	BLM15N06L	16	BLM9435	15	BLS70R600	21
BL8072	3	BL8802	5	BLAD16Q125	10	BLM16N10	16	BLM9926	15	BLS80R1K0E	22
BL8073	3	BL8812	5	BLD1002	13	BLM2004NE	15	BLP05N08G	17	BLS80R760	22
BL8074	3	BL8851	5	BLD2113	13	BLM2008E	15	BLP065N08G	17	BLS80R990	22
BL8075	3	BL8891B	5	BLD2136	13	BLM2010E	15	BLP08N10	17	BM8563	12
BL8077	2	BL8N100	20	BLD7720AH	5	BLM22N10	16	BLP08N10L	17	BS108	17
BL8078	2	BL8N50	19	BLD7720AL	5	BLM2301	15	BLP10N10	17	BSP304	21
BL8079	3	BL8N50C	19	BLD7721AH	5	BLM2302	15	BLP10N10L	17	ULN2003	12
BL8079A	3	BL8N60	19	BLD7721AL	5	BLM2305	15	BLP12N10	17	ULN2803	12
BL80N20	17	BL8N65	19	BLD7741BH	5	BLM3050K	16	BLP12N10L	17	ULN2803L	12
BL80N20B	17	BL90N25	18	BLD7741BL	5	BLM30N06L	16	BLP150N10	17		
BL80N20BL	17	BL90N25B	18	BLD7742BH	5	BLM30N10	16	BLP25N06L	17		
BL80N20L	17	BL9110	3	BLD7742BL	5	BLM30N10L	16	BLR120	11		
BL8310MD	12	BL9161	2	BLG15T65FUL	22	BLM30P04	15	BLR125	11		
BL8310MDS	12	BL9162	2	BLG3040	22	BLM3400	15	BLR133	11		
BL8320MD	12	BL9165	3	BLG40T120FDH	22	BLM3401	15	BLR140	11		
BL8320MDS	12	BL9180	3	BLG40T120FUH	22	BLM3401AY	15	BLR150	11		
BL8329	13	BL9193	2	BLG40T120FUK	22	BLM3404	16	BLS60R036	21		